

Prestigio

LIQUID CRYSTAL DISPLAY

Prestigio P156/P176
User's Manual

Before connecting, operating or adjusting this product, please read these instructions completely. Please keep this manual for future reference.

1. WARNING AND CAUTION

CAUTION
RISK OF ELECTRIC SHOCK
DO NOT OPEN

CAUTION:
TO REDUCE THE RISK OF ELECTRIC SHOCK
DO NOT REMOVE THE MONITOR'S COVER.
NO USER SERVICEABLE PARTS INSIDE REFER SERVICING
TO QUALIFIED PERSONNEL

ENG

WARNING:

TO PREVENT FIRE OR SHOCK HAZARD, DO NOT EXPOSE THIS MONITOR TO RAIN OR MOISTURE. HIGH VOLTAGE EXISTS ON THIS MONITOR. DO NOT REMOVE THE MONITOR'S COVER.

CAUTION:

1. Keep Monitor away from excessive dust, high temperature, moisture or direct sunlight.
2. Use well ventilated area and do not cover ventilation openings.
3. Unauthorized modification to this equipment, substitution or the use of an unshielded connecting cable may cause excessive interference.
4. When the monitor is not in use disconnect it from the mains power supply.
5. If the picture display is in any way abnormal, disconnect from mains power by turning power switch OFF. Check and ensure the installation is correct. Then reconnect the mains supply by turning power switch ON.

2.IMPORTANT SAFETY INSTRUCTION

Prior to using this product, please ensure that you have carefully read and understood all the procedures outlined in this user's manual.

1. Read all of these instructions.
2. Save these instructions for later use.
3. Follow all warnings and instructions marked on the product.
4. Disconnect from the mains supply before cleaning.
Do not use liquid or aerosol cleaners. Use only a slightly damp cloth for cleaning.
5. Do not use this product near water.
6. Do not press hard and scratch the polarizer film on the LCD panel surface. For handling, use cotton or conductive gloves so that the display surface is not stained .For If the display surface is stained by dust or dirt, clean it as follows with a soft cloth (deer skin, etc)
Dust :Wipe off lightly with a soft cloth.(do not rub.)
Dirt :Wipe off lightly with a soft cloth after soaking in the clear water and squeezing out water drops. Use isopropyl alcohol or ethanol only if dirt is hard to wipe off.
Be careful not to splash water or solvent to prevent water penetrating between the polarizer and the LCD panel. Do not use the solvents such as ketone (acetone ,etc.)and aromatics(xylene ,toluene ,etc.) If saliva or water drops are left for long time, it may cause partial deformation or discoloring.Wipe off immediately in the same way as for dirt.
Do not allow oil to adhere to the display, since the cleaning of oil is difficult.
7. Do not place this product on an unstable cart, stand or table. The product may fall, causing serious damage.
8. Slots and openings in the cabinet located at the back and underneath are provided for ventilation.To ensure reliable operation of the product and to protect it from overheating, these openings must not be blocked or covered.The openings should never be blocked as when placing the product on a bed, sofa, rug, or other similar surface. This product should never be placed near or over a radiator or heat source. This product should not be placed in an enclosed installation unless proper ventilation is provided.
- 9.This product should be operated from the type of power source indicated on the marked label. If you are not sure of the type of power available, consult your dealer or local power company.
10. Do not allow anything to rest on the power cord. Do not put this product where people will walk on or may be tripped by the cord.
11. If an extension cord is used with this product, ensure that the total ampere ratings of the products connected to the extension cord do not exceed the extension cord ampere rating. Also ensure that the total amperes of all products connected to the mains outlet, does not exceed 15 amperes.
12. Never push objects of any kind into this product through cabinet slots as they may touch dangerous voltage points or short out parts that could result in a risk of fire or electric shock. Never spill any kind of liquid on the product.
13. Do not attempt to service this product yourself, as opening or removing covers may expose you to dangerous voltage points or other risks. Refer all servicing to qualified service personnel.
14. Disconnect this product from the main supply and refer servicing to qualified service personnel under the following conditions:
 - A When the power cord or plug is damaged or frayed.
 - B If liquid has been spilled into the product.
 - C If the product has been exposed to rain or water.
 - D If the product does not operate normally when the operating instructions are followed. Adjust only those controls that are covered by the operating instructions since improper adjustment of other controls may result in damage and will often require extensive work by a qualified technician to restore the product to normal operation.
 - E If the product has been dropped or the cabinet has been damaged.

F If the product exhibits a distinct change in performance, indicating a need for service.
15. To prevent reflection of the light, set the LCD panel perpendicular with the light source.

3. FCC STATEMENT

The equipment has been tested and found to comply with the limits for a Class B digital device, pursuant to part 15 of FCC rules. These limits are designed to provide reasonable protection against harmful interference in a residential installation. This equipment generates, uses and can radiate radio frequency energy and, if not installed and used in strict accordance with the instructions, may cause harmful interference to radio communications. However, there is no guarantee that interference will not occur in a particular installation. If this equipment does cause harmful interference to radio or television reception, which can be determined by turning the equipment off and on, the user is encouraged to try to correct the interference by one or more of the following measure (When optional TV/AV CARD IS INSTALLED)

- Reorient or relocate the receiving antenna.
- Increase the separation between the equipment and the receiver.
- Connect the equipment into an outlet on a circuit different from that to which the receiver is connected.
- Consult the dealer or an experienced radio/TV technician for help.

Shielded interconnected cables and shield power cords must be employed with this equipment to ensure compliance with the pertinent RF emission limits governing this device.

Changes or modifications not expressly approved by the manufacturer could void the user's authority to operate the equipment and invalidate the warranty.

NOTICE OF COMPLIANCE WITH CANADIAN INTERFERENCE-CAUSING EQUIPMENT REGULATIONS

This Class B digital apparatus meets all requirements of the Canadian Interference-Causing Equipment Regulations.

4. General Information

This monitor is a high-performance intelligent multi-scan TFT LCD color monitor. It is designed to be compatible with all display modes for 15" and 17" LCD monitor.

User friendly interface - the easy and precise OSD control of 7 keys button. Brief appearance - multimedia featured in an elegant and compact housing.

Footprint of all round tilting rang - employing sectional positioning, well balanced in adjustment.

Analog input - plug and play facilities to accept RGB signal with modulated frame rate control allowing over 20 different input formats.

D-SUB 15 PIN ASSIGNMENT

Pin 1: Red	Pin 6:R return	Pin 11:GND.
Pin 2: Green	Pin 7:G return	Pin 12:DDC data
Pin 3: Blue	Pin 8:B return	Pin 13:H sync.
Pin 4: GND.	Pin 9:Self test	Pin 14:V sync.
Pin 5: GND	Pin 10:GND	Pin 15:DDC clock

DVI 24 PIN ASSIGNMENT

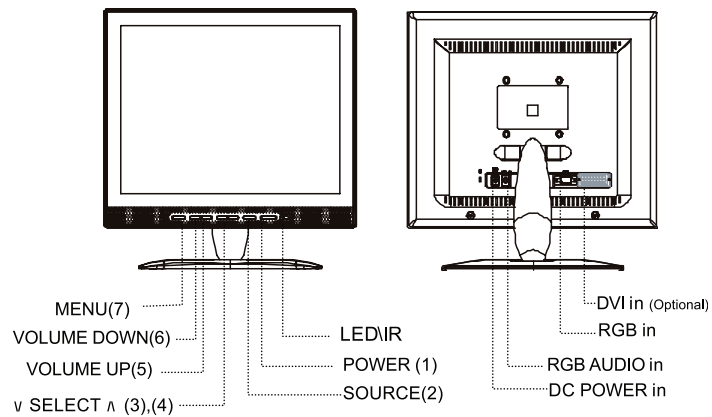
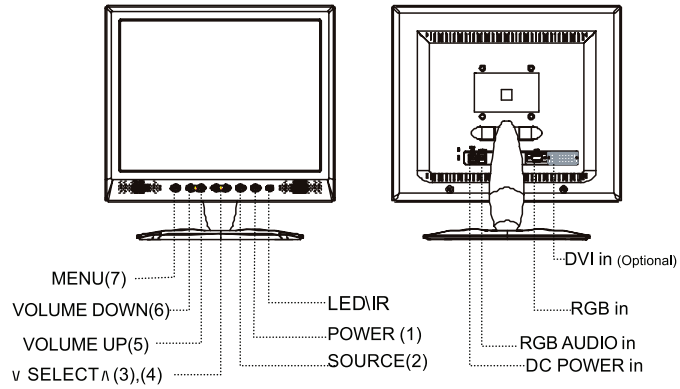
Pin 1: TxD2-	Pin 8: V-Sync.	Pin 15: GND	Pin 22: GND.
Pin 2: TxD2+	Pin 9: TxD1-	Pin 16: DET	Pin 23: TxCO+.
Pin 3: GND	Pin 10: TxD1+	Pin 17: TxD0-	Pin 24: TxCO-..
Pin 4: N.C.	Pin 11: GND	Pin 18: TxD0+.	
Pin 5: N.C.	Pin 12: N.C.	Pin 19: GND	
Pin 6: DDC Clk.	Pin 13: N.C.	Pin 20: N.C.	
Pin 7: DDC Data.	Pin 14: +5V	Pin 21: N.C.	

APPLICATION VIDEO TIMING

VESA MODE					
			Horizontal	Vertical	
Mod	Resolution	Refresh rate	Nominal Frequency +/- 0.5KHz	Nominal Frequency +/- 1 Hz	Nominal Pixel Clock(MHz)
1	640(VGA)x480	60	31.5	59.94	25.175
2	640(VGA)x480	70	31.5	70	28.3
3	640(VGA)x480	72	37.9	72.81	31.500
4	640(VGA)x480	75	37.5	75	31.500
5	800(SVGA)x600	56	35.1	56.25	36.000
	800(SVGA)x600	60	37.9	60.317	40.000
7	800(SVGA)x600	72	48.1	72.19	50.000
8	800(SVGA)x600	75	46.9	75	49.500
9	1024(XGA)x768	60	48.4	60.01	65.000
10	1024(XGA)x768	70	56.5	70.07	75.000
11	1024(XGA)x768	75	60.0	75.03	78.750
12	1280(SXGA)x1024	60	64.0	60.0	108.000
13	1280(SXGA)x1024	75	80.0	75.0	135.000

15" LCD Monitor : 12-13 mode is "fail-safe mode".

6.Back / Front Panel And Connections



1. POWER
Turn ON or OFF of the monitor power.
2. SOURCE
Press SOURCE button to switch input signal.
- 3~4. V SELECT ^
Press V SELECT ^ button to select items. Select proper setting.
- 5~6. - VOLUME +
Press - Volume + button to select main items and adjust some values .Increase or decrease the value of selected adjustment items or select proper setting.
7. MENU
Press MENU to display the monitor's On-Screen Display.

LED

Indicates the status of monitor operation.

Green : Normal.

Amber : When power off.

Green with flicker : Power saving mode or disconnection of signal cable.

DC Power Input : 12V DC Input Terminal

RGB IN : Analog signal connector (15-pin D-sub) for use with IBM and other compatible.

RGB Audio IN : 3.5mm Stereo Input Jack to receive audio signal from PC.

7. Installation procedure:

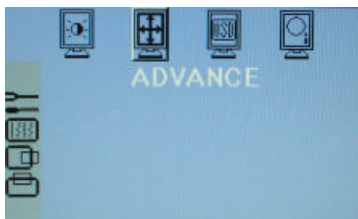
1. Ensure the power of PC and LCD monitor are off.
2. Connect the video and audio signal of PC to their respective input terminals on monitor.
3. Connect the power cord to the power supply adapter. Then connect the output of the power supply to the DC12V terminal of the monitor. Then plug the AC power cord to the AC power source.
4. Turn on the PC equipment.
5. Push the power switch button located at the lower right side of the bezel. Power LED light indicate monitor is working.

8. Operation Method Of Front Panel Control

The Monitor function settings are set using the On-Screen Display. To access function settings, simply press the MENU key on the front control panel to display MENU. Press MENU to enter sub menu, and use - VOLUME + button to choose item (PICTURE, ADVANCE, OSD, INFO). Different function settings are available for the different types of signal inputs. The following diagram shows the different on-screen displays available for different input signals.



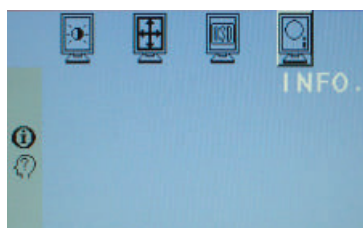
Press MENU to enter sub-menu as following, then using - VOLUME + to select items (Picture). Press \vee SELECT \wedge to choose sub-item (Contrast - Brightness - RGB Gain...), then using - VOLUME + to increase or decrease the value of selected sub-item. When you complete the adjustment, press MENU button to exit sub-menu to select other items. You can press MENU again to exit OSD setting.



Press MENU to enter sub-menu as following and using - VOLUME + button to select items (Advance). Press \vee SELECT \wedge to choose sub-item, then using - VOLUME + to increase or decrease the value of selected sub-item. When you complete the adjustment, press MENU button to exit sub-menu to select other items. You can press MENU again to exit OSD setting.



Press MENU to enter sub-menu as following and using - VOLUME + button to select items (OSD). Press \vee SELECT \wedge to choose sub-item (OSD H-Position - OSD V-Position - OSD Time-out - OSD Language), then using - VOLUME + to increase or decrease the value of selected sub-item. You can press MENU while you complete the setting or press MENU again to exit OSD setting.



Press MENU to enter sub-menu as following and using - VOLUME + button to select items (Info). Press \vee SELECT \wedge to choose sub-item (Information - S/W Version), then you can see the information of input signal or s/w version. You can press MENU while you complete the setting or press MENU again to exit OSD setting.

1. Press MENU key on screen display as follow: Picture, Advance, OSD, INFO
2. Press - VOLUME + key to choose 4 items and use \vee SELECT \wedge key to enter sub menu individually as following. You can pick one sub-item to adjust its value via - VOLUME + key. While you indicated that item, the display status will change based on your adjustment. You can press menu key again to exit OSD setting.

Contrast:

Press the -VOLUME+ button to decrease or increase contrast. Adjust the overall image and background screen contrast.

Brightness:

Press the -VOLUME+ button to decrease or increase brightness. Adjust the overall image and background screen brightness. Adjust the image brightness in relation to the background.

R Gain:

Select icon and press -VOLUME+ button to change the gain of red.

G Gain:

Select icon and press -VOLUME+ button to change the gain of green.

B Gain:

Select icon and press -VOLUME+ button to change the gain of blue

Color temperature:

Select this icon to adjust color temperature which setting between: Standard - User - Warm - Cool - select 9300, 7300, 6500, User as below.

9300: Cool: Tend to blue tone.

7300: Warm: Standard.

6500: Hot : Tend to red.

Auto Adjustment:

Auto adjust current display mode. Phase to get proper setting. Select this icon and press -VOLUME+ button to proceed.

Phase

To improve focus clarity an image stability. Press the -VOLUME+ button to decrease or increase phase clock.

H-Position (Horizontal Position):.

Select this icon to adjust the horizontal position of the displayed image. Press the -VOLUME+ button to adjust H-Position.

V- Position (Vertical Position):

Select this icon to adjust the vertical position of the displayed image. Press the –VOLUME+ button to adjust V-Position.

OSD H-Position:

Select this icon to adjust the OSD H-Position on the displayed image. Press the –VOLUME+ button to move left or move right OSD position.

OSD V-Position:

Select this icon to adjust the OSD V-Position on the displayed image. Press the –VOLUME+ button to move down or move up OSD position.

OSD Timeout:

Select this icon to set the timeout value of OSD Press –VOLUME+ button to switch timeout value: OFF - 5 Sec - 10 Sec - 15 Sec - 20 Sec and 30 Sec

OSD Language:

Select this icon to set OSD language. Press –VOLUME+ button to switch OSD Language as following: English / Spanish / French / German / Italian / Japanese

Information:

To display current display mode Information for reference, like Horizontal Freq, Vertical Freq, Resolution

S/W Version:

Select this icon to show the software version.

9. Trouble Shooting

Before calling for service, check the information in this section to see if you can remedy any problems by yourself. If you need assistance, please call the dealer where you purchased the LCD monitors.

There is no SCREEN image

The power cord is securely connected to the monitor, the adaptor, and wall outlet.

Check the signal cable connection between the monitor and the computer.

Adjust the brightness and contrast controls.

Monitor is power saving mode, Display image is too large or small.

Use the OSD controls to adjust auto setup.

The colors are distorted

Signal cable properly connected?

Use OSD controls to adjust the color control setting.

The image is too light or too dark

Use OSD controls to adjust the brightness and contrast.

The sound is too Loud or too low

Check the audio cable connector

Make sure the computer sound program is working or not.

Adjust your sound card or computer volume setting.

Adjust the volume control keys on the monitor.

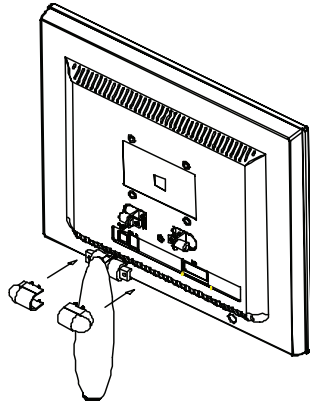
ACCESSORY

1. RGB CABLE X 1 (1.8M)
2. AUDIO CABLE X 1 (1.8M)
3. POWER CORD X 1 (1.8M)
4. USER MANUAL
5. POWER ADAPTER X 1

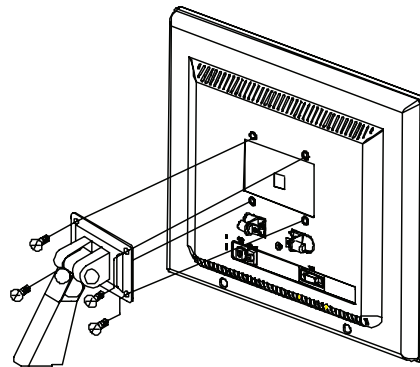
10. LCD Wall Mount Assembly Guide

(LCD MONITOR ARM SHOULD BE PURCHASED)

ASSEMBLY GUIDE



(figure 1)



(figure 2)

1. Remove screws, lids, and foot base, Do not discard any of the parts keep these for future use.
2. LCD Monitor arm assembly procedure.
 - a. Using 6mm screwdriver, fix torque at 11 lbt-ft. Fasten (M4*10L) 4PCS screws to assemble arm and monitor.
 - b. Secure two side of LCD monitor arm to fasten properly.

Caution:

1. Purchase 75mm*75mm VESA Standard interface.
2. LCD monitor arm is only for LCD monitor use. Do not hang other things on this arm.
3. If you are missing any of the parts, contact the store where you purchased the goods.

ENG

Před připojováním, používáním či nastavováním monitoru si přečtěte důkladně tyto instrukce a uschovejte si je pro případné pozdější použití.

1. Varování a upozornění

27

Upozornění:
Riziko úrazu el. proudem
Neotevírat

Upozornění:
Pro snížení rizika úrazu el. proudem monitor nikdy neotevírejte ani neodstraňujte jeho kryty. Uvnitř monitoru se nenacházejí žádné součástky ani díly, které jsou uživatelem opravitelné. Oprava vždy vyžaduje zásah kvalifikovaného opraváře.

Varování:

Abyste omezili možnosti vzniku požáru či úrazu el. proudem monitor, nikdy jej nevystavujte dešti nebo vlhkosti. Uvnitř monitoru se nachází vysoké napětí. Neodstraňujte kryty monitoru.

Upozornění:

1. Chraňte monitor před nadměrnou vlhkostí, vysokou teplotou, přímým slunečním světlem a neprovazujte jej v příliš prašném prostředí.
2. Monitor používejte v prostředí, kde je přiměřená ventilace vzduchu, a nezakrývejte jeho ventilační otvory.
3. Neodborné modifikace tohoto monitoru a náhrada či používání nestíněného připojovacího kabelu mohou vést k rušení televizního nebo radiového příjmu.
4. Pokud není monitor používán, odpojte jej od elektrické sítě.
5. Pokud je obraz na displeji jakkoliv abnormální, vypněte monitor jeho síťovým tlačítkem, ujistěte se, že instalace monitoru je provedena správným způsobem, přezkontrolujte připojovací kabely a pak monitor opět síťovým tlačítkem zapněte.

2. Důležitá bezpečnostní upozornění

Před používáním tohoto výrobku si pozorně přečtěte návod k obsluze a ujistěte se, že jste mu dobře porozuměli.

1. Přečtěte si pozorně tyto instrukce.
2. Uchovejte si je pro možnost pozdějšího nahlédnutí do nich.
3. Řiďte se všemi varováními a upozorněními, která jsou vyznačena na tomto výrobku.
4. Před čištěním monitoru jej vždy odpojte od el. sítě.
Nepoužívejte tekutá čisticíidla, nebo čisticíidla ve spreji, používejte pouze lehce navlhčenou utěrku.
5. Monitor nepoužívejte v blízkosti vody.
6. Buďte opatrní na LCD panel, nikdy na něj silně netlačte a dbejte na to, abyste nepoškrábali jeho polarizační film, kterým je jeho povrch opatřen. Při přenášení monitoru dbejte na to, abyste LCD panel neznečistili otisky prstů, používejte jemné rukavice, a pokud ke znečištění dojde, odstraňte jej pomocí jemné utěrky /jemné kůže na okna/ následujícím způsobem:
Znečištění prachem: lehce otřete měkkou utěrkou, netřete silou.
Jiná nečistota: měkkou utěrku před otíráním navlhčete mírně vodou a důkladně vyždímejte. Pokud takto nelze nečistotu odstranit, navlhčete utěrku isopropyl alkoholem nebo etanolem /lihem/.
Při čištění dbejte na to, aby se nikdy nedostala voda nebo jiný čisticí prostředek mezi polarizér a vlastní LCD panel.
K čištění nikdy nepoužívejte čisticíidla na bázi acetonu, xylenu, toluenu atd. Pokud zůstane čisticí prostředek /lih/ nebo voda na panelu delší dobu, může způsobit částečnou deformaci nebo vyblednutí, proto případné kapky ihned setřete.
Dbejte na to, aby se zobrazovací panel neznečistil olejem nebo jinou mastnotou, která se z panelu velmi těžko odstraňuje.
7. Monitor neumísťujte na nestabilní podklad či nestabilní stojan. Pokud monitor spadne, může se při pádu vážně poškodit.
8. Otvory a štěrbinu na zadní a spodní straně krytu monitoru slouží k ventilaci a chrání monitor před přehřátím. Tyto otvory nesmí být nikdy zakryty či zablokovány, například umístěním monitoru na měkkou podložku, jako je postel, sedačka atd. Monitor nikdy neumísťujte do blízkosti radiátorů či kamen. Monitor by také neměl být nikdy umístěn v uzavřeném prostoru, kde může být ohrožena cirkulace vzduchu, a tím jeho správné chlazení.
9. Tento monitor by měl být provozován pouze se zdrojem napětí, který je uveden na štítku na výrobku. Pokud si nejste jisti, konzultujte problém se svým prodejcem nebo s místním dodavatelem el. energie.
10. Na přívodní síťový kabel nestavte žádné předměty, ani nedovolte, aby byl uložen tak, aby po něm mohly přecházet osoby.
11. Pokud je spolu s monitorem používán prodlužovací kabel, ujistěte se, že celkový příkon monitoru nepřekračuje povolený příkon prodlužovacího kabelu. Také se ujistěte, že celkový příkon všech zařízení, připojených do el. zásuvky, nepřekračuje 15 A.
12. Do větracích otvorů nikdy nevkládejte žádné předměty, neboť uvnitř monitoru se nachází nebezpečné el. napětí a může tak dojít k požáru či k úrazu el. proudem. Dbejte na to, abyste monitor nikdy nepolíli žádnou tekutinou.
13. Monitor nikdy nezkoušejte opravit svépomocí, protože odejmutím krytů monitoru se vystavujete nebezpečí úrazu el. proudem. Jakoukoliv opravu svěřte odbornému autorizovanému servisu.
14. V následujících případech odpojte monitor od el. sítě a kontaktujte kvalifikovanou servisní osobu:
A. Pokud je přívodní síťový kabel poškozen či prodřen.
B. Pokud jakákoliv tekutina natekla do monitoru.
C. Pokud byl monitor vystaven dešti či se do něj dostala voda.
D. Pokud monitor nepracuje normálně při dodržení návodu k obsluze. Nastavujte pouze funkce monitoru, které jsou popsány v návodu k obsluze, neboť nastavování jiných funkcí může vyústit v poškození monitoru, což si vyžádá zásah kvalifikované osoby, aby jej vrátila do normálního funkčního stavu.
E. Pokud monitor spadl nebo jsou jeho kryty poškozeny.
F. Pokud monitor vykazuje odlišnosti v normálním obvyklém zobrazení, což znamená potřebu odborné opravy.
15. K prevenci světelných odrazů nastavte panel LCD monitoru kolmo ke zdroji světla.

CZ

3. Ustanovení FCC

Toto zařízení bylo testováno a odpovídá ustanovením pro třídu B digitálních zařízení, uvedených v Části 15 Pravidel FCC. Tato ustanovení byla vytvořena proto, aby byla zajištěna odpovídající ochrana proti škodlivému vzájemnému ovlivňování domácích elektrospotřebičů. Toto zařízení vytváří, používá a vyzářuje elektromagnetické rádiové vlny a pokud není instalováno v souladu s instrukcemi v návodu, může rušit a ovlivňovat rádiový a televizní příjem. Není zde ale dána žádná záruka, že k těmto jevům nemůže v určitých případech dojít i při správné instalaci. Pokud toto zařízení způsobuje nepřijatelné rušení rádiového či televizního příjmu, které je přímo ovlivněno zapnutím či vypnutím tohoto zařízení, uživatel by měl zkusit toto rušení odstranit s použitím následujících rad /Pokud je volitelně instalována TV/AV karta/:

Zkuste jinou orientaci přijímací antény nebo ji přesuňte dál od tohoto zařízení.

Zvětšete vzdálenost mezi tímto zařízením a přijímačem.

Připojte toto zařízení do jiné zásuvky, než je zapojen přijímač.

Poradte se s vaším prodejcem nebo se zkušeným televizním technikem.

Aby byly splněny emisní limity, je bezpodmínečně nutné používat s tímto monitorem pouze stíněný napájecí síťový kabel a stíněné propojovací kabely.

Upozorňujeme, že jakékoliv změny či modifikace Vámi provedené, které nejsou výslovně povoleny oprávněnou stranou, vám nedovolují toto zařízení nadále používat.

Prohlášení o shodě s kanadským nařízením o vzájemném rušení el. zařízení.

Toto digitální zařízení třídy B odpovídá všem požadavkům kanadských nařízením o vzájemném rušení el. zařízení.

4. Všeobecné informace

Tento monitor je vysoce výkonným inteligentním TFT LCD barevným monitorem. Je navržen tak, aby byl kompatibilní se všemi zobrazovacími režimy pro 15" a 17" LCD monitory.

Příjemné a srozumitelné uživatelské rozhraní je tvořeno snadno ovladatelným OSD menu - zobrazování funkcí a jejich nastavování přímo na displeji pomocí sedmi tlačítek.

Monitor je vybaven otočným kloubem, který zajišťuje v celém svém rozsahu jemné a vyvážené nastavení.

Analogový vstup monitoru je vybaven technologií Plug and Play, která zajišťuje akceptování RGB signálu s kontrolou modulovaného poměru pulsů, která dovoluje použití 20 různých formátů vstupního signálu.

Rozvržení konektoru D-SUB 15 PIN

Pin 1: Red	Pin 6:R return	Pin 11:GND.
Pin 2: Green	Pin 7:G return	Pin 12:DDC data
Pin 3: Blue	Pin 8:B return	Pin 13:H sync.
Pin 4: GND.	Pin 9:Self test	Pin 14:V sync.
Pin 5: GND	Pin 10:GND	Pin 15:DDC clock

Rozvržení konektoru DVI 24 PIN

Pin 1: TxD2-	Pin 8: V-Sync.	Pin 15: GND	Pin 22: GND.
Pin 2: TxD2+	Pin 9: TxD1-	Pin 16: DET	Pin 23: TxC0+.
Pin 3: GND	Pin 10: TxD1+	Pin 17: TxDO-.	Pin 24: TxC0-..
Pin 4: N.C.	Pin 11: GND	Pin 18: TxDO+.	
Pin 5: N.C.	Pin 12: N.C.	Pin 19: GND	
Pin 6: DDC Clk.	Pin 13: N.C.	Pin 20: N.C.	
Pin 7: DDC Data.	Pin 14: +5V	Pin 21: N.C.	

CZ

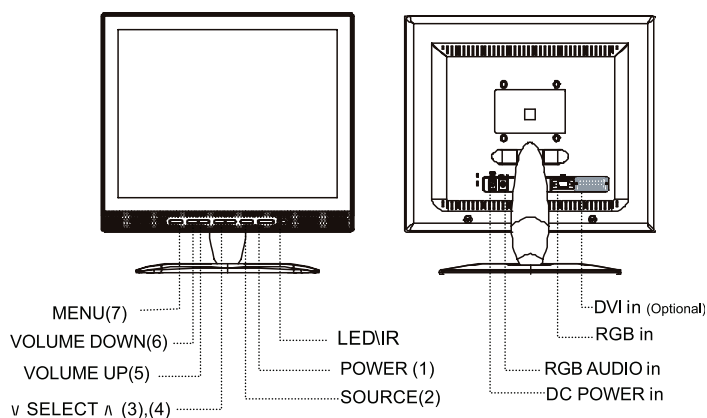
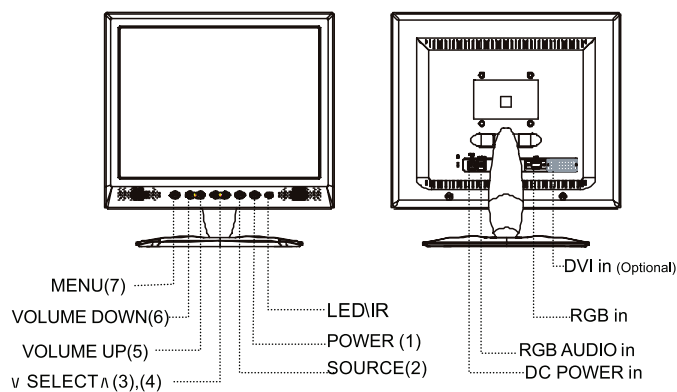
Časování videa

VESA MODE					
			Horizontal	Vertical	
Mod	Resolution	Refresh rate	Nominal Frequency +/- 0.5KHz	Nominal Frequency +/- 1 Hz	Nominal Pixel Clock(MHz)
1	640(VGA)x480	60	31.5	59.94	25.175
2	640(VGA)x480	70	31.5	70	28.3
3	640(VGA)x480	72	37.9	72.81	31.500
4	640(VGA)x480	75	37.5	75	31.500
5	800(SVGA)x600	56	35.1	56.25	36.000
	800(SVGA)x600	60	37.9	60.317	40.000
7	800(SVGA)x600	72	48.1	72.19	50.000
8	800(SVGA)x600	75	46.9	75	49.500
9	1024(XGA)x768	60	48.4	60.01	65.000
10	1024(XGA)x768	70	56.5	70.07	75.000
11	1024(XGA)x768	75	60.0	75.03	78.750
12	1280(SXGA)x1024	60	64.0	60.0	108.000
13	1280(SXGA)x1024	75	80.0	75.0	135.000

15" LCD monitor: režim 12-13 je bezpečnostní režim

6. Zadní a přední panel a přípojná místa

27



1. POWER - tlačítko zapnutí/vypnutí monitoru

Stiskem se monitor zapne či vypne.

2. SOURCE - tlačítko zdroje signálu

Stiskem se připojí vstupní signál.

3-4. \vee SELECT \wedge - tlačítko výběru

Stiskem \vee SELECT \wedge vyberete požadovanou položku a pak vyberte její nastavení.

5-6 -VOLUME+

Stiskem tohoto tlačítka vyberete hlavní položky a nastavujete některé hodnoty. Zvyšuje nebo snižuje hodnotu vybrané nastavované položky nebo vybere její nastavení.

7. MENU - tlačítko menu

Stiskem tohoto tlačítka zobrazíte na monitoru OSD - menu pro nastavování hodnot a funkcí přímo na displeji.

LED - svítivá indikační dioda - kontrolka

Indikuje momentální stav, ve kterém se monitor nachází.

Svítil zeleně: normální stav

Svítil oranžově: monitor je vypnut

Zeleně bliká: monitor je v úsporném režimu nebo není přítomen vstupní signál.

Vstup DC napětí: vstup pro napětí 12 V DC

RGB IN: Analogový vstup s 15 PIN konektorem D-SUB pro použití s PC kompatibilním s IBM.

RGB AUDIO IN: 3,5 mm stereofonní jack pro vstup signálu z PC

CZ

7. Instalace monitoru

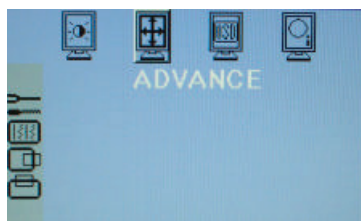
1. Ujistěte se, že PC i monitor jsou vypnuty.
2. Připojte video a audio kabel od PC do jejich odpovídajících konektorů na monitoru.
3. Připojte síťový napájecí kabel do napájecího adaptéru. Dále zapojte výstupní kabel z adaptéru do konektoru DC 12V na monitoru. Potom připojte síťový napájecí kabel do elektrické zásuvky.
4. Zapněte PC.
5. Monitor zapněte stiskem vypínače, který je umístěn na spodní pravé straně monitoru. LED kontrolka se rozsvítí a indikuje, že monitor je zapnut.

8. Možnosti nastavení monitoru na předním panelu

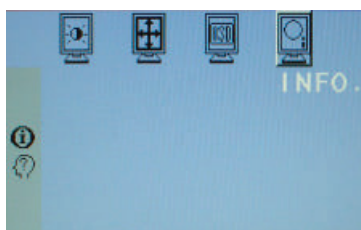
Nastavování funkcí monitoru je sloučeno do OSD menu - nastavování funkcí přímo na displeji. Pro přístup k funkci OSD menu stiskněte tlačítko menu, které je umístěno na předním panelu monitoru. Stiskem MENU se dostanete do podmenu, stiskem a použitím tlačítka -VOLUME+ pak vybíráte požadovanou položku k nastavení, např. PICTURE - Obraz, ADVANCE, OSD, INFO. Pro různé druhy vstupního signálu jsou k dispozici rozdílné funkce nastavení. Následující diagram ukazuje rozdílné možnosti nastavení pro různé druhy signálu.



Stiskem MENU se dostanete do podmenu a pak použitím -VOLUME+ vybíráte požadované položky k nastavení, např. PICTURE - Obraz. Stiskem \setminus SELECT \wedge vyberete položku z podmenu, např. nastavení Contrast - Kontrast, Brightness - Jas, RGB atd., a pak použitím -VOLUME+ zvyšujete nebo snižujete hodnotu požadované vybrané položky. Když nastavení dokončíte, stiskem tlačítka MENU uzavřete podmenu a můžete nastavovat další funkce. Pokud stisknete tlačítko MENU ještě jednou, celkově tím menu OSD ukončíte.



Stiskem MENU se dostanete do podmenu a pak použitím -VOLUME+ vybíráte požadované položky k nastavení, např. ADVANCE. Stiskem \setminus SELECT \wedge vyberete položku z podmenu, a pak použitím -VOLUME+ zvyšujete nebo snižujete hodnotu požadované vybrané položky. Když nastavení dokončíte, stiskem tlačítka MENU uzavřete podmenu a můžete nastavovat další funkce. Pokud stisknete tlačítko MENU ještě jednou, celkově tím menu OSD ukončíte.



Stiskem MENU se dostanete do podmenu a pak použitím -VOLUME+ vybíráte požadované položky k nastavení, např. OSD. Stiskem \vee SELECT \wedge vyberete položku z podmenu - OSD H-position - horizontální pozice OSD menu, OSD V-position - vertikální pozice OSD menu, OSD Time Out - čas, po jehož uplynutí se neaktivní OSD menu samo zavře, a OSD Language - jazyk, kterým s vámi OSD menu komunikuje, a pak použitím -VOLUME+ zvyšujete nebo snižujete hodnotu požadované vybrané položky. Když nastavení dokončíte, stiskem tlačítka MENU uzavřete podmenu a můžete nastavovat další funkce. Pokud stisknete tlačítko MENU ještě jednou, celkově tím menu OSD ukončíte.

Stiskem MENU se dostanete do podmenu a pak použitím -VOLUME+ vybíráte požadované položky k nastavení, např. INFO. Stiskem \vee SELECT \wedge vyberete položku z podmenu - INFORMATION - informace - verze softwaru, a pak tím získáte informace o vstupním signálu či o verzi softwaru. Když nastavení dokončíte, stiskem tlačítka MENU uzavřete podmenu a můžete nastavovat další funkce. Pokud stisknete tlačítko MENU ještě jednou, celkově tím menu OSD ukončíte.

1. Stiskem MENU tlačítka se objeví OSD menu, ve kterém následují tyto položky: Picture, Advance, OSD, INFO.
2. Stiskem -VOLUME+ vybíráte mezi těmito čtyřmi položkami a použitím \vee SELECT \wedge vstupujete jednotlivě do podmenu níže popsaným způsobem. Můžete vybrat jednu podpoložku k nastavení a pak nastavit její hodnotu pomocí tlačítka -VOLUME+. Zobrazení na displeji se mění v závislosti na změně hodnoty nastavované položky. Stiskem MENU nastavení uložíte a vrátíte se o krok zpět, případně dalším stiskem OSD menu zavřete.

Contrast - Kontrast

Stiskem -VOLUME+ snižujete nebo zvyšujete kontrast obrazu na displeji. Nastavujte celkovou úroveň v obraze a pak kontrast pozadí.

Brightness - Jas

Stiskem -VOLUME+ snižujete nebo zvyšujete jas obrazu na displeji. Nastavujte celkovou úroveň jasu v obraze ve vztahu k pozadí.

R-Gain - úroveň červené barvy v RGB obraze.

Vyberte odpovídající ikonu a stiskem -VOLUME+ můžete nastavovat úroveň červené barvy.

G-Gain - úroveň zelené barvy v RGB obraze.

Vyberte odpovídající ikonu a stiskem -VOLUME+ můžete nastavovat úroveň zelené barvy.

B-Gain - úroveň modré barvy v RGB obraze.

Vyberte odpovídající ikonu a stiskem -VOLUME+ můžete nastavovat úroveň modré barvy.

Color Temperature - teplota barev

Výběrem této ikony nastavujete teplotu barev, kterou je možno nastavit jako Standard-standardní, User- užívatelskou, Warm-teplou a Cool-studenou, číselně 9300, 7300, 6500 a User-uživatel podle následujících doporučení:

9300: Cool - Studené - barevný tón obrazu mírně do modra.

7300: Warm - Teplé - standardní zobrazení.

6500: Hot - Horké - barevný tón obrazu mírně do červena.

Auto Adjustment - Automatické nastavení

Automaticky nastavuje současný zobrazovací režim. Nastavujte postupně pro dosažení správného nastavení. Vyberte tuto ikonu a tlačítkem -VOLUME+ tuto funkci nastavte.

Phase - Fáze

Tato funkce slouží k nastavení stability a čirosti obrazu. Stiskem tlačítka -VOLUME+ snižujete nebo zvyšujete fázový kmitočet pro dosažení optimálního obrazu.

H-Position - horizontální pozice obrazu

Výběrem této ikony nastavujete horizontální pozici obrazu na monitoru. Nastavíte ji pomocí tlačítka -VOLUME+.

V-Position - vertikální pozice obrazu

Výběrem této ikony nastavujete vertikální pozici obrazu na monitoru. Nastavíte ji pomocí tlačítka -VOLUME+.

OSD-H-Position - horizontální pozice OSD menu na displeji

Výběrem této ikony nastavujete horizontální pozici OSD menu na monitoru. Nastavíte ji pomocí tlačítka -VOLUME+, kterým se OSD menu posouvá nalevo či napravo.

OSD-V-Position - vertikální pozice OSD menu na displeji

Výběrem této ikony nastavujete vertikální pozici OSD menu na monitoru. Nastavíte ji pomocí tlačítka -VOLUME+, kterým se OSD menu posouvá dolů či nahoru .

OSD Timeout - čas automatické deaktivace OSD menu.

Výběrem této ikony nastavujete čas, po jehož uplynutí nepoužívané OSD menu automaticky zmizí z displeje. OFF-nezmizí nikdy, 5s, 10s, 15s, 20s, 30s. nastavujete pomocí tlačítka -VOLUME+.

OSD Language - jazyk OSD menu

Výběrem této ikony nastavujete jazyk, ve kterém s vámi bude OSD menu komunikovat. Tlačítkem -VOLUME+ může vybírat mezi těmito jazyky: angličtina, španělština, francouzština, němčina, italština, japonština.

Information - informace

Pro zobrazení informací o současném režimu zobrazení vstupního signálu na displeji jako je horizontální a vertikální frekvence a rozlišení.

S/W version - verze softwaru

Tato ikona poskytuje informaci o verzi softwaru.

CZ

9. Možné problémy

Před kontaktováním autorizovaného servisu si v případě problémů při provozu monitoru nejprve přečtěte následující informace, neboť některé problémy můžete odstranit vlastními silami. Pokud budete potřebovat radu, kontaktujte prodejce, u kterého jste monitor zakoupili.

Na displeji není žádný obraz

Zkontrolujte, zdali je přívodní kabel el. napětí připojen do el. zásuvky a do adaptéru a zdali je kabel z adaptéru připojen k monitoru.

Zkontrolujte přívodní signálový kabel mezi monitorem a PC.

Zkuste nastavit obraz na vyšší jas a kontrast.

Monitor se nachází v úsporném režimu, zobrazovaný obraz je možná příliš velký či naopak příliš malý.

Pomocí OSD menu aktivujte funkci AutoAdjust - automatické nastavení.

Barvy jsou zkreslené.

Je signálový kabel správně a bezpečně zapojen v konektorech ?

Použijte OSD menu k nastavení barev obrazu.

Obraz je příliš světlý nebo příliš tmavý.

Použijte OSD menu k nastavení jasu a kontrastu obrazu.

Zvuk je příliš hlasitý nebo příliš tichý.

Zkontrolujte audio kabel, zdali je správně zapojen do audio konektoru.

Ujistěte se, zdali je v pořádku program, který ovládá zvuk na vašem PC.

Nastavte zvukovou kartu počítače nebo hlasitost přímo na počítači.

Nastavte úroveň zvuku ovládacími tlačítky na monitoru.

PŘÍSLUŠENSTVÍ

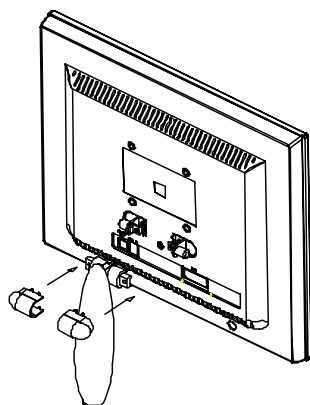
1. RGB kabel 1x /1,8m/
2. Audio kabel 1x /1,8m/
3. Síťový kabel napájecí kabel 1x /1,8m/
4. Návod k obsluze
5. Síťový adaptér 1x

10. Návod k montáži monitoru na zeď

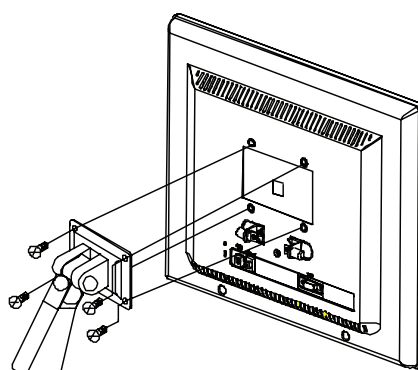
/Speciální držák monitoru není součástí dodávky a je dokoupitelný zvlášť./

Návod:

20



(figure 1)



(figure 2)

1. Uvolněte a vymontujte šrouby a od monitoru odmontujte podstavec. Všechny díly uschovejte pro případné pozdější opětovné použití monitoru bez montáže na zeď.
2. Sestavení držáku monitoru
 - a. Použijte šroubovák šíře 6 mm a utahovacím momentem cca 1,5N/m připevněte pomocí 4 šroubů M4x10L monitor k držáku.
 - b. Ujistěte se, že obě strany držáku monitoru jsou bezpečně připevněny.

Upozornění:

1. K montáži na zeď je potřeba zakoupit VESA Standart Interface 75mm x 75mm
2. Držák na monitor je určený pouze k držení monitoru, nezavěšujte na něj další předměty.
3. Pokud postrádáte některé součásti, které jsou k montáži třeba, obraťte se na prodejce monitoru.

Pred pripojením, ovládaním alebo nastavovaním tohoto produktu si prosím dôkladne prečítajte tieto inštrukcie. Manuál odložte pre prípad, že by ste ho v budúcnosti potrebovali.

1. VÝSTRAHY A UPOZORNENIA

SK

UPOZORNENIE
RIZIKO ÚRAZU ELEKTRICKÝM PRÚDOM
NEOTVÁRAŤ

UPOZORNENIE
ABY STE ZABRÁNILI RIZIKU ÚRAZU ELEKTRICKÝM PRÚDOM, Z MONITORA
NEODSTRAŇUJTE KRYT.
VO VNÚTRI SA NENACHÁDZAJÚ ŽIADNE ČASTI, KTORÉ SI MÔŽE OPRAVOVAŤ POUŽÍVATEĽ.
OPRAVU PRENECHAJTE KVALIFIKOVANÝM OSOBÁM.

VÝSTRAHA:

ABY STE ZABRÁNILI RIZIKU POŽIARU ALEBO ÚRAZU ELEKTRICKÝM PRÚDOM, NEVYSTAVUJTE TENTO MONITOR DAŽĎU ALEBO VLNKOSTI. MONITOR PRACUJE VO VNÚTRI S VEĽMI VYSOKÝM NAPÄTÍM. KRYT MONITORA ZA ŽIADNYCH OKOLNOSTÍ NEODSTRAŇUJTE.

UPOZORNENIE:

1. Monitor nevystavujte prachu, vysokým teplotám, vlhkosti a priamemu slnečnému svetlu.
2. Ničím neprikryvajte jeho vetracie otvory, používajte ho na miestach s dostatočným vetraním.
3. Nepovolené modifikácie tohto zariadenia, náhrady súčiastok alebo použitie netienených káblov môžu spôsobovať rušenie.
4. Ak monitor nepoužívate, vytiahnite ho z elektrickej zásuvky.
5. Ak je obraz nejakým spôsobom poškodený, monitor vypnite. Skontrolujte, či je správne nainštalovaný. Potom ho opäť zapnite.

2. DÔLEŽITÉ BEZPEČNOSTNÉ POKYNY

Predtým, ako budete používať tento produkt, si dôkladne preštudujte tento užívateľský manuál.

1. Prečítajte si všetky nasledujúce inštrukcie.
2. Odložte ich pre prípadné použitie v budúcnosti.
3. Dodržujte všetky upozornenia týkajúce sa používania tohto produktu.
4. Pred čistením odpojte produkt od elektrickej siete.

Na čistenie nepoužívajte tekuté alebo aerosólové čistiace prostriedky. Použite iba mierne navlhčenú handričku.

5. Nepoužívajte tento produkt v blízkosti vody.

6. Dávajte pozor, aby ste nepoškriabli polarizačnú vrstvu na povrchu LCD panela. Pri ošetrovaní použite bavlnené rukavice. Ak je povrch displeja znečistený, vyčistite ho jemnou handričkou (jelenicou, atď.) nasledujúcim spôsobom.

Prach: Veľmi opatrne ho utrite jemnou handričkou.

Špina: Handričku navlhčite čistou vodou, dobre ju vyžmýkajte a opatrne ňou utrite povrch panela. Ak je znečistenie príliš silné a nejde odstrániť takýmto spôsobom, použite izopropyl alebo etanol.

Dávajte pozor, aby medzi polarizátor a LCD panel nevnikla voda alebo iné roztoky.

Nepoužívajte roztoky ako je napr. acetón, xylén, toluén atď. Ak zostanú na displeji dlhší čas vodné kvapky alebo sliny, môžu spôsobiť častkovú deformáciu alebo odfarbenie. Urýchlene ich preto odstráňte postupom popísaným vyššie.

Dávajte pozor, aby displej neprišiel do kontaktu s olejom. Odstraňovanie oleja je veľmi náročné.

7. Tento produkt nepokladajte na nestabilný vozík, stojan alebo stôl. Mohol by spadnúť a poškodiť sa.

8. Otvory v skrinke nachádzajúce sa na jej zadnej a spodnej strane slúžia na ventiláciu. Aby ste zabezpečili správnu funkciu zariadenia a ochranu pred prehriatím, nesmiete ich ničím prikrývať. Dávajte pozor, aby ste ich nezakryli pri položení zariadenia na posteľ, pohovku alebo iný podobný povrch. Zariadenie by nemalo byť nikdy umiestnené do blízkosti radiátora alebo iného zdroja tepla. Takisto ho neinštalujte do uzatvorených skriniek, kde nie je zabezpečené dostatočné vetranie.

9. Tento monitor môže byť napájaný iba zdrojom s parametrami uvedenými na štítku monitora. Ak nie ste si istí, aké napätie je v elektrickej sieti u Vás doma, spýtajte sa Vášho predajcu.

10. Napájací kábel nesmie byť ničím zafixovaný. Neved'te ho takými miestami, kde by sa mohlo po ňom chodiť.

11. Ak používate na napájanie tohto zariadenia predlžovačku, uistite sa, či celková záťaž pripojených zariadení neprekračuje najvyššiu povolenú záťaž predlžovačky.

12. Dávajte pozor, aby cez vetracie otvory na zadnej strane zariadenia nevnikli do neho žiadne predmety alebo tekutiny. Môžu byť príčinou vzniku požiaru alebo úrazu elektrickým prúdom.

13. Nepokúšajte sa zariadenie opravovať svojpomocne. Po otvorení ochranného krytu sa môžete vystaviť nebezpečnému napätiu, ktoré môže byť príčinou úrazu elektrickým prúdom. Všetky opravy prenechajte autorizovanému servisu.

14. Zariadenie vytriahnite z elektrickej zásuvky a odovzdajte do servisu v nasledujúcich prípadoch:

A Ak je napájací kábel poškodený.

B Ak do zariadenia vnikla tekutina.

C Ak bolo zariadenie vystavené dažďu alebo vode.

D Ak zariadenie nepracuje správne ani pri ovládaní podľa užívateľského manuálu. Používajte iba ovládacie prvky popísané v užívateľskom manuáli, použitie iných prvkov môže zariadenie poškodiť, prípadne dostať do stavu, z ktorého navrátenie späť bude vyžadovať zásah kvalifikovanej osoby.

E Ak zariadenie spadlo alebo má poškodený kryt.

F Ak zariadenie vykazuje viditeľný pokles výkonu.

15. Aby ste zabránili odrazom svetla, natočte LCD panel kolmo k svetelnému zdroju.

FCC INFORMÁCIE

Testovaním tohoto zariadenia bolo zistené, že spĺňa požiadavky kladené na výpočtové zariadenia triedy B podľa časti 15 predpisov FCC. Tieto predpisy sú navrhnuté tak, aby bola zaručená primeraná ochrana proti nežiadúcemu rušeniu v bytových priestoroch. Toto zariadenie generuje, používa a môže vyžarovať rádiový signál, a ak nie je nainštalované a používané v súlade s predpismi, môže rušiť rádiové spojenia. Nie je však možné zaručiť, že k rušeniu nepríde ani po správnej inštalácii. Ak toto zariadenie nespôsobuje rušenie rozhlasového alebo televízneho príjmu, ktoré je možné odstrániť vypnutím zariadenia a jeho opätovným zapnutím, pokúste sa rušenie odstrániť jedným z nasledujúcich spôsobov (ak je nainštalovaná voliteľná TV/AV karta):

- Presmerujte alebo premiestnite anténu.
- Zariadenie premiestnite ďalej od prijímača.
- Pripojte zariadenie na iný elektrický okruh, ako ten, ku ktorému je pripojený prijímač.
- Kontaktujte distribútora alebo odborníka v danej oblasti.

Aby boli dodržané emisné RF limity pre toto zariadenie, je potrebné použiť tlenené prepájacie káble a zemnú napájaciu snúru. Neoprávnené zmeny alebo modifikácie tohoto LCD monitora jeho užívateľom môžu anulovať jeho zákonné právo obsluhovať zariadenie a viesť k strate záruky.

UPOZORNENIE K ZHODE S KANADSKÝMI PREDPISMI PRE ZARIADENIA SPÔSOBUJÚCE RUŠENIE

Toto digitálne zariadenie triedy B spĺňa kanadské predpisy pre zariadenia spôsobujúce rušenie.

4. Všeobecné informácie

Tento farebný TFT LCD monitor s vysokým výkonom je kompatibilný so všetkými zobrazovacími režimami 15" a 17" LCD monitorov. Užívateľsky prístupné rozhranie - jednoduché a precízne OSD ovládanie pomocou 7 tlačidiel. Prvý dojem - multimédiá skryté v elegantnom a kompaktnom kryte.

Možnosť natáčania vo všetkých smeroch - sektorové nastavenie, veľmi dobre vyvážené.

Analógový vstup - vďaka plug and play a kompatibilitě s RGB signálom s ovládaním modulovanej obnovovacej frekvencie podporuje vyše 20 rôznych vstupných formátov.

OZNAČENIE VÝVODOV 15-PINOVÉHO D-SUB KONEKTORA

Pin 1: Red	Pin 6: R return	Pin 11: GND.
Pin 2: Green	Pin 7: G return	Pin 12: DDC data
Pin 3: Blue	Pin 8: B return	Pin 13: H sync.
Pin 4: GND.	Pin 9: Self test	Pin 14: V sync.
Pin 5: GND	Pin 10: GND	Pin 15: DDC clock

OZNAČENIE VÝVODOV 24-PINOVÉHO DVI KONEKTORA

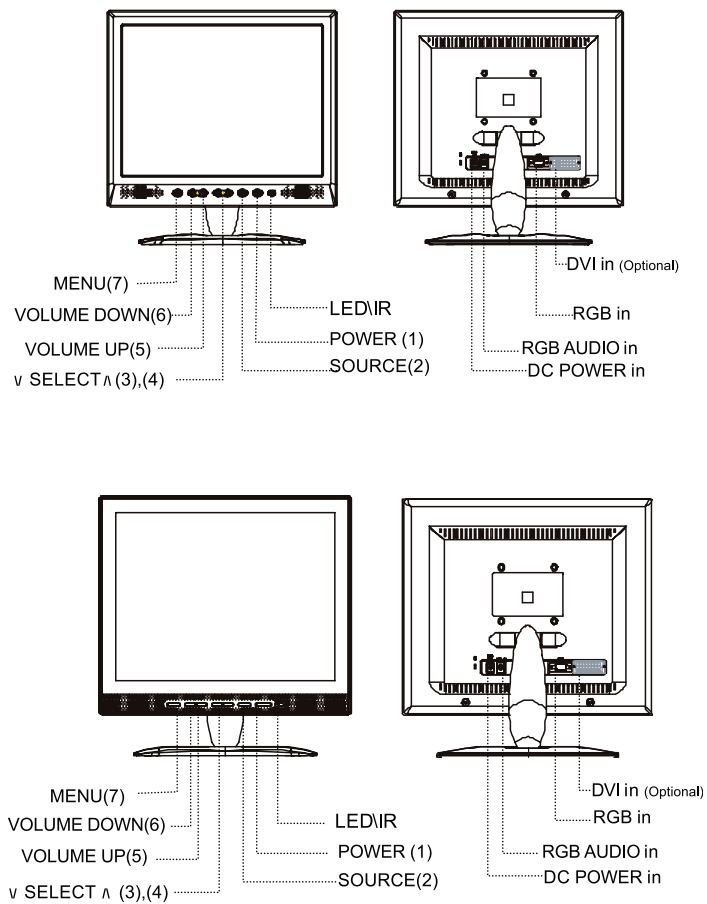
Pin 1: TxD2-	Pin 8: V-Sync.	Pin 15: GND	Pin 22: GND.
Pin 2: TxD2+	Pin 9: TxD1-	Pin 16: DET	Pin 23: TxCO+.
Pin 3: GND	Pin 10: TxD1+	Pin 17: TxD0-	Pin 24: TxCO-..
Pin 4: N.C.	Pin 11: GND	Pin 18: TxD0+.	
Pin 5: N.C.	Pin 12: N.C.	Pin 19: GND	
Pin 6: DDC Clk.	Pin 13: N.C.	Pin 20: N.C.	
Pin 7: DDC Data.	Pin 14: +5V	Pin 21: N.C.	

OBNOVOVACIE FREKVENCIE

VESA MODE					
			Horizontal	Vertical	
Mod	Resolution	Refresh rate	Nominal Frequency +/- 0.5KHz	Nominal Frequency +/- 1 Hz	Nominal Pixel Clock(MHz)
1	640(VGA)x480	60	31.5	59.94	25.175
2	640(VGA)x480	70	31.5	70	28.3
3	640(VGA)x480	72	37.9	72.81	31.500
4	640(VGA)x480	75	37.5	75	31.500
5	800(SVGA)x600	56	35.1	56.25	36.000
	800(SVGA)x600	60	37.9	60.317	40.000
7	800(SVGA)x600	72	48.1	72.19	50.000
8	800(SVGA)x600	75	46.9	75	49.500
9	1024(XGA)x768	60	48.4	60.01	65.000
10	1024(XGA)x768	70	56.5	70.07	75.000
11	1024(XGA)x768	75	60.0	75.03	78.750
12	1280(SXGA)x1024	60	64.0	60.0	108.000
13	1280(SXGA)x1024	75	80.0	75.0	135.000

15" LCD monitor : režimy 12-13 sú bezpečnostné

6. Zadný/predný panel a konektory



1. POWER

Zapnutie a vypnutie monitora.

2. SOURCE

Prepnutie vstupného signálu.

3~4. v SELECT ^

Výber položiek. Výber správneho nastavenia.

5~6. - VOLUME +

Výber hlavných položiek a nastavenie niektorých hodnôt. Zvýšenie alebo zníženie hodnoty nastavovanej položky alebo výber správneho nastavenia.

7.MENU

Zobrazenie OSD menu monitora.

LED

Indikácia činnosti monitora.

Zelená: Normálna činnosť.

Jantárová: Monitor vypnutý.

Blikajúca zelená: Režim šetrenia energiou alebo odpojený napájací kábel.

DC Power Input: Pripojenie napájacieho zdroja 12 V DC.

RGB IN: Analógový signálny konektor (15-pinový D-SUB) na pripojenie IBM alebo iného kompatibilného zdroja signálu.

RGB Audio IN: 3,5 mm stereo konektor na pripojenie audio signálu z PC.

7. Spôsob inštalácie:

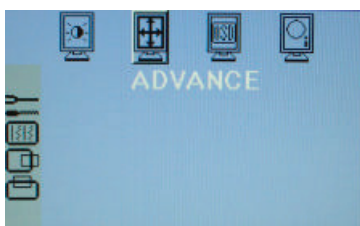
1. Skontrolujte, či je monitor aj počítač vypnutý.
2. Video a audio kábel z PC pripojte k zodpovedajúcim konektorom na monitore.
3. K napájacemu adaptéru pripojte napájací kábel. Výstup napájacieho kábla pripojte ku konektoru DC 12V na monitore. Nakoniec pripojte napájací AC kábel do elektrickej siete.
4. Zapnite počítač.
5. Stlačte vypínač nachádzajúci sa na pravej spodnej strane objímky. Indikačná LED bude informovať o činnosti monitora.

8. Spôsob ovládania pomocou ovládacích prvkov na prednom paneli.

Funkcie monitora sa nastavujú pomocou OSD displeja. Na sprístupnenie nastavení stlačte tlačidlo MENU na prednom paneli. Na vstup do podmenu stlačte tlačidlo MENU ešte raz a tlačidlami - VOLUME + vyberte požadovanú položku (PICTURE, ADVANCE, OSD, INFO). Pre rôzne druhy vstupného signálu sú k dispozícii rôzne nastavenia. Jednotlivé OSD menu sú popísané na nasledujúcich obrázkoch.



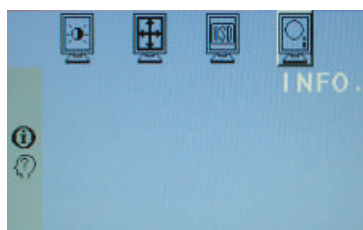
Na vstup do podmenu stlačte tlačidlo MENU, tlačidlami - VOLUME + potom vyberte požadovanú položku (Picture). Tlačidlami \vee / SELECT \wedge vyberte požadované nastavenie (Contrast - Brightness - RGB Gain...) a potom tlačidlami - VOLUME + zvýšte alebo znížte jeho hodnotu. Po skončení nastavenia stlačte na opustenie podmenu a na výber ostatných položiek tlačidlo MENU. Na úplné opustenie OSD menu stlačte tlačidlo MENU ešte raz.



Na vstup do podmenu stlačte tlačidlo MENU, tlačidlami - VOLUME + potom vyberte požadovanú položku (Advance). Tlačidlami \vee / SELECT \wedge vyberte požadované nastavenie a potom tlačidlami - VOLUME + zvýšte alebo znížte jeho hodnotu. Po skončení nastavenia stlačte na opustenie podmenu a na výber ostatných položiek tlačidlo MENU. Na úplné opustenie OSD menu stlačte tlačidlo MENU ešte raz.



Na vstup do podmenu stlačte tlačidlo MENU, tlačidlami - VOLUME + potom vyberte požadovanú položku (OSD). Tlačidlami ∇ SELECT \wedge vyberte požadované nastavenie (OSD H-Position - OSD V-Position - OSD Time-out - OSD Language) a potom tlačidlami - VOLUME + zvýšte alebo znížte jeho hodnotu. Po skončení nastavenia stlačte na opustenie podmenu tlačidlo MENU. Na úplné opustenie OSD menu stlačte tlačidlo MENU ešte raz.



Na vstup do podmenu stlačte tlačidlo MENU, tlačidlami - VOLUME + potom vyberte požadovanú položku (Info). Tlačidlami ∇ SELECT \wedge vyberte požadovanú informáciu (Information - S/W Version). Na displeji sa zobrazí informácia o vstupnom signále a verzia softvéru. Po skončení nastavenia stlačte na opustenie podmenu tlačidlo MENU. Na úplné opustenie OSD menu stlačte tlačidlo MENU ešte raz.

SK

1. Na zobrazenie položiek Picture, Advance, OSD, INFO stlačte tlačidlo MENU.
2. Tlačidlami - VOLUME + vyberte jednu zo štyroch položiek a tlačidlami ∇ SELECT \wedge vstúpte do požadovaného podmenu. Hodnotu je možné zmeniť tlačidlami - VOLUME +. Ak je indikovaný výber tejto položky, stav displeja sa mení v závislosti od nastavenia. Na opustenie nastavenia OSD stlačte tlačidlo MENU ešte raz.

Contrast:

Tlačidlami -VOLUME+ zvýšte alebo znížte úroveň kontrastu. Nastavenie kontrastu celkového obrazu a pozadia obrazovky.

Brightness:

Tlačidlami -VOLUME+ zvýšte alebo znížte úroveň jas. Nastavenie jas celkového obrazu a pozadia obrazovky. Nastavenie jas obrazu vzhľadom k pozadiu.

R Gain:

Na zmenu úrovne červenej farby vyberte tento symbol a potom použite tlačidlá -VOLUME+ .

G Gain:

Na zmenu úrovne zelenej farby vyberte tento symbol a potom použite tlačidlá -VOLUME+ .

B Gain:

Na zmenu úrovne modrej farby vyberte tento symbol a potom použite tlačidlá -VOLUME+ .

Color temperature:

Na výber jedného z nastavení farebnej teploty (Standard - User - Warm - Cool - výber 9300, 7300, 6500, Use) vyberte tento symbol.

9300: Studený: modrý nádech.

7300: Teplý: štandard.

6500: Horúci: červený nádech.

Auto Adjustment:

Automatické nastavenie aktuálneho režimu. Vyberte tento symbol a na nastavenie použite tlačidlá -VOLUME+.

Phase

Vylepšenie zaostrenia a stability obrazu. Tlačidlami -VOLUME+ zvýšte alebo znížte časovanie fázy.

H-Position (Horizontal Position):

Na nastavenie horizontálnej pozície zobrazeného obrazu vyberte tento symbol. Pozíciu potom nastavte tlačidlami -VOLUME+ .

V- Position (Vertical Position):

Na nastavenie vertikálnej pozície zobrazeného obrazu vyberte tento symbol. Pozíciu potom nastavte tlačidlami -VOLUME+ .

OSD H-Position:

Na nastavenie horizontálnej pozície OSD menu vyberte tento symbol. Pozíciu potom nastavte tlačidlami -VOLUME+ .

OSD V-Position:

Na nastavenie vertikálnej pozície OSD menu vyberte tento symbol. Pozíciu potom nastavte tlačidlami -VOLUME+ .

OSD Timeout:

Na nastavenie doby zobrazenia OSD menu vyberte tento symbol. Tlačidlami -VOLUME+ nastavte požadovanú hodnotu: OFF - 5 Sec - 10 Sec - 15 Sec - 20 Sec a 30 Sec

OSD Language:

Na nastavenie jazyka OSD menu vyberte tento symbol. Tlačidlami -VOLUME+ vyberte požadovaný jazyk OSD menu: English / Spanish / French / German / Italian / Japanese

Information:

Zobrazenie aktuálneho režimu displeja; horizontálnej frekvencie, vertikálnej frekvencie a rozlíšenia.

S/W Version:

Na zobrazenie verzie softvéru vyberte tento symbol.

9. Odstraňovanie porúch

Predtým, ako navštívite servis, pokúste sa poruchu monitora odstrániť svojpomocne podľa návodu v tejto časti. Ak potrebujete pomoc, kontaktujte prosím Vášho predajcu.

Na obrazovke nie je žiadny obraz

Skontrolujte, či je napájací kábel pripojený k monitoru, adaptéru a do elektrickej zásuvky.

Skontrolujte pripojenie signálneho kábla k monitoru a k počítaču.

Zmeňte nastavenie jas a kontrastu.

Monitor je v režime šetrenia energiou. Zobrazený obraz je príliš veľký alebo príliš malý.

Použite automatické nastavenie.

Farby sú skreslené

Je signálny kábel pripojený správne?

Pomocou OSD menu nastavte správne farby.

Obraz je príliš svetlý alebo príliš tmavý

Pomocou OSD menu nastavte kontrast a jas.

Zvuk je príliš hlasný alebo príliš tichý

Skontrolujte koncovku audio kábla.

Skontrolujte, či hudobný program v počítači pracuje alebo nie.

Nastavte hlasitosť zvukovej karty alebo počítača.

Nastavte hlasitosť pomocou tlačidiel na monitore.

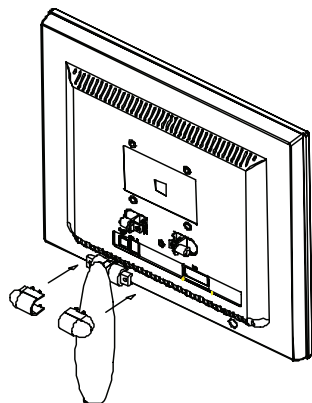
PRÍSLUŠENSTVO

1. 1 RGB KÁBEL (1,8M)
2. 1 AUDIO KÁBEL (1,8M)
3. 1 NAPÁJACÍ KÁBEL (1,8M)
4. UŽÍVATEĽSKÝ MANUÁL
5. 1 NAPÁJACÍ ADAPTÉR

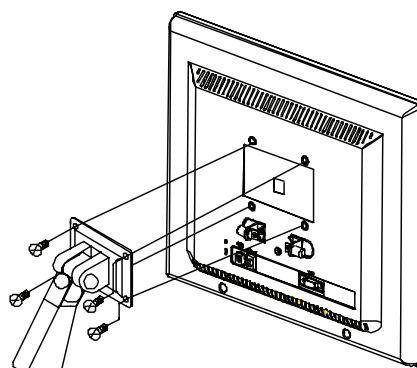
10. Spôsob montáže LCD monitora na stenu

(JE POTREBNÉ ZAKÚPIŤ RAMENO NA LCD MONITOR)

SPÔSOB MONTÁŽE



(figure 1)



(figure 2)

1. Odstráňte skrutky, kryt a základňu. Tieto časti odložte, pre prípad ich neskoršej potreby.
2. Spôsob montáže ramena LCD monitora.
 - a. Pomocou 6 mm skrutkovača pripevnite štyrmi skrutkami rameno k monitoru.
 - b. Dôkladne pripevnite obe strany ramena LCD monitora.

Upozornenie:

1. Zakúpte si štandardné VESA rozhranie 75mm*75mm.
2. Rameno k LCD monitoru je možné použiť iba na zachytenie tohto monitora. Na rameno nezavesujte iné predmety.
3. Ak Vám niektoré časti chýbajú, kontaktujte prosím Vášho predajcu.

SK

Przed podłączeniem, pracą lub zmianą ustawień monitora przeczytaj Instrukcję Użytkownika w całości. Pozostaw ją do późniejszego użytku.

1. OSTRZEŻENIA I UWAGI

PL

UWAGA
RYZIKO PORAŻENIA PRĄDEM
NIE OTWIERAĆ

UWAGA:
ABY ZMNIJSZYĆ RYZYKO PORAŻENIA PRĄDEM NIE ZDEJMUJ OBUDOWY MONITORA
WEWNĄTRZ MONITORA NIE MA ŻADNYCH CZĘŚCI KTÓRE MOGĄ BYĆ WYMIENIANE LUB
NAPRAWIANE PRZEZ UŻYTKOWNIKA, TYLKO PRZEZ WYKWALIFIKOWANY SERWIS

OSTRZEŻENIE:

Aby zapobiec pożarowi i ryzyku porażenia prądem nie narażaj monitora na deszcz lub bardzo wilgotne powietrze. W monitorze znajduje się wysokie napięcie. Nie zdejmuj obudowy monitora

Uwaga:

1. Nie używaj monitora w pomieszczeniach i dużym zapyleniu, wysokiej temperaturze oraz nie narażaj go na działanie wilgoci a także bezpośredniego silnego światła słonecznego
2. Zapewnij dobrą wentylację, nie zasłaniaj otworów wentylacyjnych w obudowie monitora
3. Wymiana wyposażenia monitora lub modyfikowanie go lub używanie nieekranowanych przewodów może doprowadzić do uszkodzenia monitora
4. Jeśli monitor jest nieużywany przez dłuższy czas odłącz go od gniazdka sieciowego
5. Jeśli wyświetlany obraz jest w jakimkolwiek stopniu nieprawidłowy wyłącz monitor przez naciśnięcie włącznika zasilania , sprawdź czy wszystko jest podłączone w sposób prawidłowy i ponownie włącz monitor

2. Istotne zalecenia dotyczące bezpieczeństwa

Zanim zaczniesz używać monitora bądź pewny że przeczytałeś dokładnie Instrukcję Użytkownika i zrozumiałeś wszystkie procedury w niej umieszczone

1. Przeczytaj całą niniejszą Instrukcję Użytkownika
2. Zachowaj tą instrukcję do późniejszego użytku
3. Postępuj zgodnie ze wszystkimi instrukcjami i ostrzeżeniami umieszczonymi na monitorze
4. Odłącz monitor od gniazda zasilania przed rozpoczęciem czyszczenia

Nie używaj o czyszczenia substancji w aerozolu ani żadnych innych płynnych preparatów. Używaj jedynie wilgotnej miękkiej szmatki

5. Nie używaj monitora w pobliżu wody
6. Podczas czyszczenia wyświetlacza monitora nie naciskaj go zbyt mocno oraz nie używaj do tego celu materiałów mogących go porysować.

Pyl: Usuwać delikatnie miękką szmatką

brud: Usuwać delikatnie miękką ściereczką zmoconą w czystej wodzie, Do usuwania trudnych zabrudzeń można używać lekko stężonego alkoholu

Bądź ostrożny, nie wylewaj wody ani żadnych innych płynów na obudowę monitora ani wyświetlacz LCD

Nie używaj do czyszczenia żadnych rozpuszczalników. Kapiąca na monitor przez dłuższy czas woda lub inny płyn może doprowadzić do odkształcenia lub odbarwienia elementu monitora.

7. Nie umieszczaj monitora na niestabilnych powierzchniach. Monitor może spaść powodując poważne uszkodzenia

Otwory w obudowie monitora nie powinny być niczym zasłonięte w celu zapewnienia odpowiedniej cyrkulacji powietrza. Otwory nie powinny być nigdy zasłonięte !!!

Monitor może być zasilany jedynie ze źródła które spełnia warunki wyspecyfikowane na tabliczce znamionowej monitora. Jeśli nie jesteś przekonany jakiego rodzaju zasilanie znajduje się w miejscu użytkowania monitora skontaktuj się z dealerem lub lokalnym dostawcą energii elektrycznej.

Nie dopuszczaj aby na kablu zasilającym znajdowały się przedmioty. Nie umieszczaj monitora w taki sposób aby kabel zasilający znajdował się w przejściu lub innym miejscu narażonym na częsty kontakt z osobami

11.. Jeśli używasz przedłużacza lub rozdzielacza zasilania upewnij się że sumaryczny pobór prądu przez podłączone urządzenia nie jest większy niż maksymalne dopuszczalne obciążenie przedłużacza lub rozdzielacza

Nigdy nie wkładaj żadnych przedmiotów do otworów wentylacyjnych w tylnej części monitora gdyż możesz trafić na elementy zasilane wysokim napięciem w rezultacie czego może nastąpić pożar lub zwarcie. Pilnuj aby nie dopuścić do zalania monitora jakimiś płynami.

Nie próbuj naprawiać tego monitora samodzielnie gdyż otwarcie bądź usunięcie obudowy monitora naraża cię na kontakt z wysokim napięciem co może spowodować porażenie prądem. Powierz wszystkie naprawy i konserwację wykwalifikowanemu serwisantowi.

Konieczne odłącz monitor z gniazdka sieciowego i zgłoś się do wykwalifikowanego serwisu w następujących przypadkach:

- a. Kiedy kabel zasilający bądź gniazdo zasilania jest uszkodzone.
- b. Jeśli jakkolwiek płyn wlał się do wewnątrz monitora
- c. Jeśli monitor został wystawiony na działanie deszczu lub wody
- d. Jeśli monitor nie pracuje zgodnie z instrukcją wykonuj jedynie te czynności które są wyszczególnione w instrukcji. Dokonanie innych zabiegów może spowodować jego uszkodzenie lub sprawić trudności w przywróceniu go do normalnej pracy.

Jeśli monitor upadł bądź obudowa została uszkodzona.

Jeśli praca monitora wydaje się być nieprawidłowa może to oznaczać konieczność kontaktu z serwisem

15. Aby zlikwidować refleksy świetlne na powierzchni panelu ustaw go pod innym kątem

Informacje FCC

Monitor spełnia wymogi klasy "B". Monitor może mieć wpływ na odbiór i działanie odbiorników radiowo-telewizyjnych znajdujących się w pobliżu. Jeśli pojawią się problemy należy:

Zmienić kierunek lub umiejscowienie anteny odbiorczej

Należy zwiększyć odległość pomiędzy monitorem a odbiornikiem

Podłączyć odbiornik radiowo-telewizyjny do innego źródła zasilania niż monitor

Zasięgnąć pomocy u sprzedawcy

4. Informacje ogólne

Ten monitor jest sprzętem bardzo wysokiej jakości "inteligentnym" monitorem LCD. Zaprojektowany w taki sposób aby prezentował się w najlepszy sposób niezależnie od rozmiarów 15 lub 17"

Urządzenie jest bardzo łatwe w obsłudze, menu ekranowe ma 7 funkcji.

Podstawa monitora jest obrotowa. Możesz ustawić monitor w dowolnej pozycji po prostu go przekręcając

Wejście analogowe- plug and play - wszystkie urządzenia generujące sygnał RGB

D-SUB 15 PIN

Pin 1: Red	Pin 6: R return	Pin 11: GND.
Pin 2: Green	Pin 7: G return	Pin 12: DDC data
Pin 3: Blue	Pin 8: B return	Pin 13: H sync.
Pin 4: GND.	Pin 9: Self test	Pin 14: V sync.
Pin 5: GND	Pin 10: GND	Pin 15: DDC clock

DVI 24 PIN

Pin 1: Tx D2-	Pin 8: V-Sync.	Pin 15: GND	Pin 22: GND.
Pin 2: Tx D2+	Pin 9: Tx D1-	Pin 16: DET	Pin 23: Tx C0+.
Pin 3: GND	Pin 10: Tx D1+	Pin 17: Tx D0-	Pin 24: Tx C0-..
Pin 4: N.C.	Pin 11: GND	Pin 18: Tx D0+.	
Pin 5: N.C.	Pin 12: N.C.	Pin 19: GND	
Pin 6: DDC Clk.	Pin 13: N.C.	Pin 20: N.C.	
Pin 7: DDC Data.	Pin 14: +5V	Pin 21: N.C.	

APPLICATION VIDEO TIMING

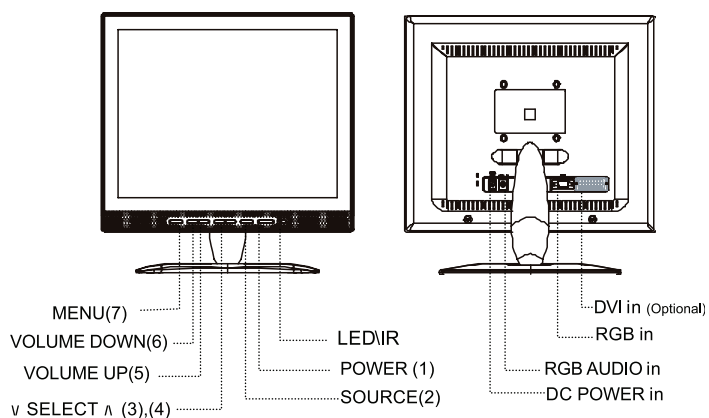
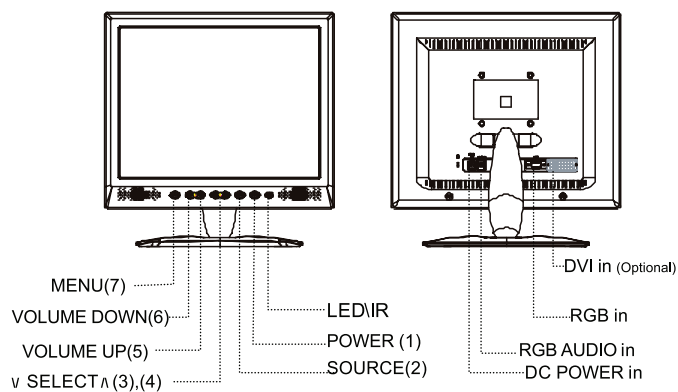
VESA MODE					
Mod	Resolution	Refresh rate	Horizontal Nominal Frequency +/- 0.5KHz	Vertical Nominal Frequency +/- 1 Hz	Nominal Pixel Clock(MHz)
1	640(VGA)x480	60	31.5	59.94	25.175
2	640(VGA)x480	70	31.5	70	28.3
3	640(VGA)x480	72	37.9	72.81	31.500
4	640(VGA)x480	75	37.5	75	31.500
5	800(SVGA)x600	56	35.1	56.25	36.000
	800(SVGA)x600	60	37.9	60.317	40.000
7	800(SVGA)x600	72	48.1	72.19	50.000
8	800(SVGA)x600	75	46.9	75	49.500
9	1024(XGA)x768	60	48.4	60.01	65.000
10	1024(XGA)x768	70	56.5	70.07	75.000
11	1024(XGA)x768	75	60.0	75.03	78.750
12	1280(SXGA)x1024	60	64.0	60.0	108.000
13	1280(SXGA)x1024	75	80.0	75.0	135.000

monitor LCD 15" : funkcje 12 i 13 ustawienia parametrów minimalnych

PL

6. Przód i tył monitora oraz złącza:

PL



1. Zasilanie
Włączanie i wyłączanie monitora
2. Wybór źródła sygnału
Naciśnij przycisk SOURCE aby wybrać źródło sygnału
3 ~ 4. V SELECT ^
- Użyj przycisku SELECT do wyboru funkcji ustawień
- 5 ~ 6. - VOLUME +
Użyj przycisku Volume do ustawienia odpowiedniego poziomu głośności
7. Menu
Naciśnij przycisk MENU aby wyświetlić menu ekranowe

Dioda

Wskazuje tryb pracy urządzenia

Kolor zielony : Praca

Pomarańczowa: Monitor wyłączony

Kolor zielony, migający: Funkcja oszczędzania energii lub kabel sygnałowy jest rozłączony

Gniazdko zasilania : 12V

RGB IN: Analogowe wejście sygnałowe (15-pin D-sub)

Audio IN : 3,5mm stereofoniczne wejście typu JACK

7. Instalacja urządzenia

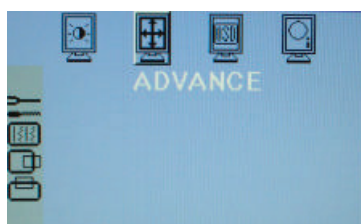
1. Upewnij się, czy urządzenia - komputer i monitor są wyłączone.
2. Podłącz wyjście VGA i audio komputera do monitora
3. Podłącz kabel zasilający do zasilacza, następnie wtyczkę zasilacza do gniazdka zasilania w monitorze a na końcu kabel zasilający zasilacza do gniazdka sieciowego.
4. Uruchom komputer
5. Naciśnij przycisk zasilania umieszczony na dolnej prawej części przedniej obudowy monitora. Świecąca dioda sygnalizuje pracę monitora

8. Instrukcja obsługi panelu sterującego

Wszystkich ustawień monitora dokonuje się poprzez menu ekranowe zwane OSD. Aby dostać się do ustawień monitora naciśnij przycisk MENU na panelu kontrolnym. Aby dostać się na wyższy poziom menu naciśnij kolejny raz MENU na wybranej funkcji, aby zmienić funkcję użyj przycisków -VOLUME+.



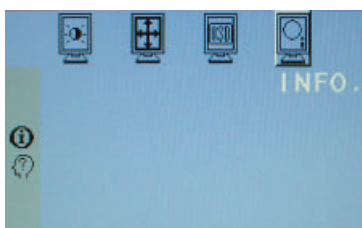
Naciśnij przycisk MENU aby wejść do OSD, następnie używając -VOLUME+ wybierz element (Picture) Używając przycisku ∇ SELECT \wedge by wybierz opcję (kontrast, jasność...) a następnie używając -Volume+ wyreguluj do oczekiwanych wartości. Jeśli już ustawisz odpowiednie parametry naciśnij MENU aby wyjść z tej funkcji i mieć możliwość wybrać inną. Jeśli naciśniesz przycisk MENU ponownie zupełnie wyjdiesz z OSD.



Naciśnij przycisk MENU aby wejść do OSD, następnie używając -VOLUME+ wybierz element (Advance) Używając przycisku ∇ SELECT \wedge by wybierz opcję a następnie używając -Volume+ wyreguluj do oczekiwanych wartości. Jeśli już ustawisz odpowiednie parametry naciśnij MENU aby wyjść z tej funkcji i mieć możliwość wybrać inną. Jeśli naciśniesz przycisk MENU ponownie zupełnie wyjdiesz z OSD.



Naciśnij przycisk MENU aby wejść do OSD, następnie używając -VOLUME+ wybierz element (OSD) Używając przycisku ∇ SELECT \wedge by wybierz opcję (OSD H-Position - OSD V-Position - OSD Time-out - OSD Language) a następnie używając -Volume+ wyreguluj do oczekiwanych wartości. Jeśli już ustawisz odpowiednie parametry naciśnij MENU aby wyjść z tej funkcji i mieć możliwość wybrać inną. Jeśli naciśniesz przycisk MENU ponownie zupełnie wyjdiesz z OSD.



Naciśnij przycisk MENU aby wejść do OSD, następnie używając -VOLUME+ wybierz element (Info) Używając przycisku ∇ SELECT \wedge by wybierz opcję (Information - S/W Version) Zobacysz informacje na temat sygnału wejściowego, albo wersji oprogramowania monitora. Naciśnij MENU aby wyjść z tej funkcji i mieć możliwość wybrać inną. Jeśli naciśniesz przycisk MENU ponownie zupełnie wyjdiesz z OSD.

1. Naciśnij przycisk MENU a następnie wybierz: Picture, Advance, OSD, INFO

Contrast:

Użyj -VOLUME+ aby wyregulować kontrast.

Użyj -VOLUME+ aby rozjaśnić lub zaciemnić obraz.

R Gain:

Wybierz tą ikonę i użyj -VOLUME+ aby zmienić nasycenie koloru czerwonego

G Gain:

Wybierz tą ikonę i użyj -VOLUME+ aby zmienić nasycenie koloru zielonego

B Gain:

Wybierz tą ikonę i użyj -VOLUME+ aby zmienić nasycenie koloru niebieskiego

Temperatura kolorów:

Wybierz tą ikonę aby ustawić "temperaturę" kolorów

9300 : chłodne : przewaga koloru niebieskiego

7300 : ciepłe : standardowe kolory

6500 : gorące: przewaga koloru czerwonego

Auto-Ustawienia

Auto ustawienia wyświetlania. Użyj aby ustawić poprawne ustawienia automatycznie. Wybierz tą ikonę a następnie -VOLUME+ aby zatwierdzić.

Wybierz tą ikonę aby ustawić umiejscowienie wyświetlanego obrazu na ekranie monitora w poziomie. Użyj -VOLUME+ aby ustawić pozycję

Wybierz tą ikonę aby ustawić umiejscowienie wyświetlanego obrazu na ekranie monitora w pionie. Użyj -VOLUME+ aby ustawić pozycję.

Pozycja OSD w poziomie:

Wybierz tą ikonę aby ustawić umiejscowienie menu OSD na ekranie monitora w poziomie. Użyj -VOLUME+ aby ustawić pozycję

Pozycja OSD w pionie:

Wybierz tą ikonę aby ustawić umiejscowienie menu OSD na ekranie monitora w pionie. Użyj -VOLUME+ aby ustawić pozycję

Czas wyświetlania OSD:

Wybierz tą ikonę by ustawić czas wyświetlania OSD. Użyj -VOLUME+ aby B151 ustawić czas.

Menu językowe

Ustawienia języka (menu ekranowe), wykorzystaj przycisk - VOLUME+ , by wybrać język - angielski, hiszpański, francuski, niemiecki, włoski, japoński

Informacja

Aby wyświetlić parametry wyświetlania

S/W Version:

Wybierz tą ikonę, by zobaczyć wersję oprogramowania

PL

9. Usterki

Zanim zadzwonisz do serwisu sprawdź czy rozwiązanie twojego problemu nie znajduje się w tym rozdziale dzięki czemu będziesz w stanie rozwiązać go sam. Jeśli będziesz potrzebować pomocy skontaktuj się ze swoim sprzedawcą.

Brak obrazu

Sprawdź kanał sygnałowy łączący monitor z komputerem

Dopasuj jasność i kontrast

Użyj menu ekranowego do ustawienia parametrów monitora

Barwy kolorów są zniekształcone

Upewnij się, czy kabel sygnałowy jest podłączony poprawnie

Użyj menu ekranowego do poprawnych ustawień koloru

Obraz jest zbyt jasny lub zbyt ciemny

Użyj menu ekranowego do poprawnych ustawień kontrastu i jasności

Poziom głośności jest zbyt niski lub wysoki

Sprawdź podłączenie kabla audio

Dopasuj kartę audio w PC do ustawień poziomu głośności

Akcesoria

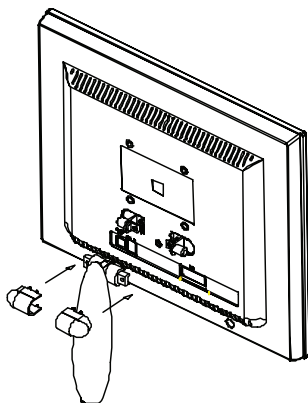
1. Kabel RGB x 1 (1,8m)
2. Kabel audio x1 (1,8m)
3. Kabel zasilający x1 (1,8 m)
4. Instrukcja obsługi
5. Zasilacz x1

10. Instrukcja montażu monitora na ścianie

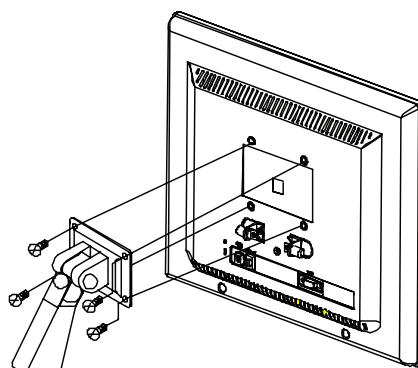
Należy zakupić uchwyt do montażu

Instrukcja montażu

PL



(figure 1)



(figure 2)

1. Usunąć zatrzaski, i podstawkę monitora. Nie wyrzucaj ani nie zgub tych części, być może przydadzą Ci się w przyszłości
2. Instrukcja montażu ramienia monitora LCD
 - a. Używając śrubokręta przytwierdź ramię .
 - b. Sprawdź czy obydwie strony ramienia są przytwierdzone dokładnie

Uwaga:

1. Kup standardowe ramię VESA 75X75mm
 2. Ramię monitora LCD służy do trzymania tylko monitora, nie umieszczaj na nim żadnych innych przedmiotów
- Jeśli zgubisz jakąkolwiek część kontaktuj się ze sklepem w którym dokonateś zakupu

Прежде чем включать или производить какие-либо действия, связанные с настройкой, пожалуйста, внимательно ознакомьтесь с данным руководством пользователя. Сохраните руководство для последующего к нему обращения.

1. ПРЕДУПРЕЖДЕНИЯ

**ПРЕДОСТЕРЕЖЕНИЕ
РИСК ПОРАЖЕНИЯ ЭЛЕКТРИЧЕСКИМ ТОКОМ
НЕ ОТКРЫВАТЬ**

**ПРЕДУПРЕЖДЕНИЕ:
ЧТОБЫ УСТРАНИТЬ ОПАСНОСТЬ ПОРАЖЕНИЯ
ЭЛЕКТРИЧЕСКИМ ТОКОМ, НЕ ОТКРЫВАЙТЕ
КОРПУС МОНИТОРА.
ДАННОЕ УСТРОЙСТВО НЕ ПРЕДПОЛАГАЕТ
САМОСТОЯТЕЛЬНОГО ТЕХНИЧЕСКОГО ОБСЛУЖИВАНИЯ
ПОЛЬЗОВАТЕЛЕМ. ОБРАЩАЙТЕСЬ В
СПЕЦИАЛИЗИРОВАННЫЕ СЕРВИСНЫЕ СЛУЖБЫ.**

**ПРЕДУПРЕЖДЕНИЕ:
ЧТОБЫ УСТРАНИТЬ ОПАСНОСТЬ ПОЖАРА ИЛИ ПОРАЖЕНИЯ
ЭЛЕКТРИЧЕСКИМ ТОКОМ, НЕ ПОДВЕРГАЙТЕ ДАННОЕ
УСТРОЙСТВО ВОЗДЕЙСТВИЮ ВОДЫ ИЛИ ПОВЫШЕННОЙ
ВЛАЖНОСТИ. УСТРОЙСТВО НАХОДИТСЯ ПОД ВЫСОКИМ
НАПРЯЖЕНИЕМ. НЕ ОТКРЫВАЙТЕ КОРПУС МОНИТОРА.**

ПРЕДОСТЕРЕЖЕНИЕ:

1. Предохраняйте монитор от воздействия пыли, высоких температур, влажности и прямого солнечного света.
2. Устанавливайте монитор в хорошо проветриваемых помещениях и не блокируйте вентиляционные отверстия на корпусе.
3. Внесение изменений в конфигурацию данного устройства, а также использование незакрепленных кабелей может стать причиной возникновения помех для других устройств.
4. При длительном неиспользовании монитора отключайте его от сети.
5. При наличии искажений изображений на мониторе, отключите устройство от сети, проверьте правильность подключения и снова включите.

2. ВАЖНЫЕ ИНСТРУКЦИИ ПО ТЕХНИКЕ БЕЗОПАСНОСТИ

Перед началом работы с данным устройством внимательно ознакомьтесь со всеми инструкциями, изложенными в данном руководстве.

1. Прочитайте все приведенные инструкции.
2. Сохраните данные инструкции для дальнейшего к ним обращения.
3. Следуйте всем предписаниям и предостережениям, размещенным на корпусе устройства.
4. Перед процедурой очистки отключите устройство от сети.

Не используйте жидкие или аэрозольные моющие средства. Пользуйтесь только влажной салфеткой.

5. Не используйте данное устройство в непосредственной близости от источников воды.
6. Не нажимайте с использованием излишней физической силы и не царапайте поверхность жидкокристаллического дисплея. При переноске устройства применяйте матерчатые перчатки, чтобы не оставить пятен на поверхности дисплея. При загрязнении поверхности дисплея производите очистку при помощи мягкой матерчатой салфетки.

Пылевые загрязнения: Протрите поверхность экрана матерчатой салфеткой.

Грязь: Протрите поверхность экрана слегка влажной матерчатой салфеткой. Используйте чистящие средства на спиртовой основе только в случае сильного загрязнения.

Будьте предельно осторожны, чтобы не допустить попадания влаги или чистящего средства между слоями жидкокристаллического дисплея.

Не используйте чистящие средства на основе растворителей (ацетон и т.д.) и ароматических соединений. Если капли указанных соединений на длительное время остаются на экране монитора, это может привести к частичной деформации и обесцвечиванию. Немедленно вытрите остатки данных веществ матерчатой салфеткой.

Не допускайте попадания масляных соединений на поверхность экрана, так как чистка подобных загрязнений достаточно трудоемка.

7. Не размещайте устройство на неустойчивой поверхности. Это может привести к его падению и механическим повреждениям.

8. Отверстия в корпусе устройства предназначены для вентиляции. Для обеспечения бесперебойной работы устройства никогда не закрывайте вентиляционные отверстия. Не размещайте устройство на мягких поверхностях, таких как кровать, диван, ковер и проч., так как это может привести к блокировке вентиляционных отверстий. Данное устройство не следует располагать вблизи источников тепла (радиаторов центрального отопления) или устанавливать в местах, в которых отсутствуют условия нормальной вентиляции воздуха.

9. Убедитесь, что розетка электропитания соответствует требованиям, указанным на задней панели устройства. Если Вы не уверены в надежности источника питания (электрической розетки), обратитесь к Вашему дилеру или в местную электрическую компанию.

10. Не размещайте тяжелые предметы на шнуре питания и не располагайте его в местах, где на него могут наступить.

11. При использовании сетевого удлинителя убедитесь, что общее номинальное напряжение всех подключенных к удлинителю приборов не превышает уровень, на который рассчитан удлинитель. Также убедитесь, что общее напряжение устройств, подключенных к одной розетке переменного тока, не превышает 15 ампер.

12. Не пытайтесь протолкнуть внутрь прибора или его вентиляционных отверстий какие-либо предметы, так это может привести к пожару или поражению электрическим током. Не допускайте попадания жидкости внутрь устройства.

13. Не пытайтесь провести техническое обслуживание данного устройства самостоятельно. Попытка

- проникновения внутрь корпуса устройства может привести к пожару или поражению электрическим током. Предоставьте всю работу по устранению неисправностей квалифицированному техническому персоналу.
14. Отключите устройство от сети переменного тока и обратитесь в службу сервиса в следующих ситуациях:
- A Шнур питания или вилка шнура питания повреждены или перетерты.
 - B Если жидкость попала внутрь устройства.
 - C Если данное устройство оказалось под воздействием дождя или воды.
 - D Если устройство не функционирует в нормальном режиме при соблюдении всех инструкций, следуйте указаниям данного руководства пользователя. Не прибегайте к иным способам регулирования настроек прибора, так как это может привести к еще большим поломкам устройства и потребует от технического персонала большего количества усилий по их устранению.
 - E Если устройство упало, его корпус поврежден.
 - F Если наблюдается значительное ухудшение производительности устройства, явно свидетельствующее о необходимости обращения за квалифицированной технической помощью.
15. Для предотвращения появления бликов на мониторе установите его перпендикулярно источнику света.

3. Заявление Федеральной комиссии связи

Настоящее устройство было проверено и по результатам проверки соответствует ограничениям для цифровых устройств класса B согласно части 15 Правил FCC, которые предназначены для создания необходимой защиты от электронных помех в жилых помещениях. Это устройство генерирует, использует и может излучать радиоволны и при нарушении инструкций по установке и эксплуатации может создать помехи радиосвязи. Однако нет гарантии того, что подобные помехи не возникнут в условиях конкретного здания. Если это устройство создает помехи приему радио- или телепрограмм, которые определяются включением устройства и последующим его выключением, пользователю следует попытаться устранить помехи самостоятельно, выполнив одно или несколько следующих действий (при наличии установленного модуля TV/AV):

Переместить или переориентировать приемную антенну.

Увеличить расстояние между данным устройством и приемником.

Подключить устройство к розетке сети, отличной от сети, к которой подключен приемник.

Обратиться за помощью к авторизованному дилеру или в сервисное представительство.

Для того, чтобы излучение устройства не превышало ограничений FCC, необходимо использовать правильно экранированные и заземленные кабели и соединители, которые входят в комплект поставки.

Внесение в устройство конструктивных изменений или дополнений, не согласованных с производителем, может повлечь за собой потерю для пользователя права на работу с устройством.

4. ОБЩАЯ ИНФОРМАЦИЯ

Данное устройство представляет собой высокоэффективный цветной ЖКИ-монитор с функциями автоматического сканирования, произведенный по тонкопленочной технологии TFT. Данный монитор полностью совместим со всеми стандартными режимами 15-и 17-и дюймовых ЖКИ-мониторов.

Данная модель снабжена удобным интерфейсом – точность и функциональность управления обеспечивается 7-ю кнопками меню. Этот монитор сочетает в себе мультимедийные возможности и элегантный и компактный дизайн.

Удобное расположение опций меню позволяет легко и точно производить настройку параметров. Аналоговый вход, сконструированный по принципу “plug and play”, позволяет принимать до 20 различных типов сигналов.

СХЕМА КОHTAKTA D-SUB 15 PIN

Pin 1: Red	Pin 6:R return	Pin 11:GND.
Pin 2: Green	Pin 7:G return	Pin 12:DDC data
Pin 3: Blue	Pin 8:B return	Pin 13:H sync.
Pin 4: GND.	Pin 9:Self test	Pin 14:V sync.
Pin 5: GND	Pin 10:GND	Pin 15:DDC clock

СХЕМА КОHTAKTA DVI 24 PIN

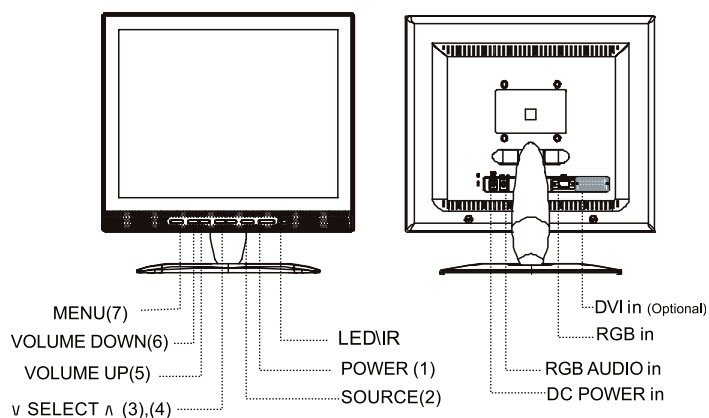
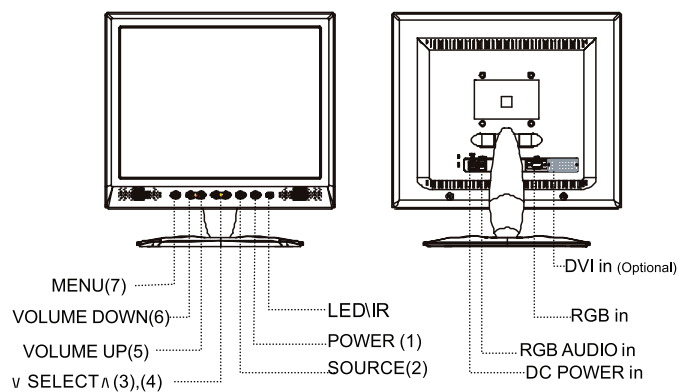
Pin 1: TxD2-	Pin 8: V-Sync.	Pin 15: GND	Pin 22: GND.
Pin 2: TxD2+	Pin 9: TxD1-	Pin 16: DET	Pin 23: TxCO+.
Pin 3: GND	Pin 10: TxD1+	Pin 17: TxD0-	Pin 24: TxCO-..
Pin 4: N.C.	Pin 11: GND	Pin 18: TxD0+.	
Pin 5: N.C.	Pin 12: N.C.	Pin 19: GND	
Pin 6: DDC Clk.	Pin 13: N.C.	Pin 20: N.C.	
Pin 7: DDC Data.	Pin 14: +5V	Pin 21: N.C.	

APPLICATION VIDEO TIMING

VESA MODE					
			Horizontal	Vertical	
Mod	Resolution	Refresh rate	Nominal Frequency +/- 0.5KHz	Nominal Frequency +/- 1 Hz	Nominal Pixel Clock(MHz)
1	640(VGA)x480	60	31.5	59.94	25.175
2	640(VGA)x480	70	31.5	70	28.3
3	640(VGA)x480	72	37.9	72.81	31.500
4	640(VGA)x480	75	37.5	75	31.500
5	800(SVGA)x600	56	35.1	56.25	36.000
	800(SVGA)x600	60	37.9	60.317	40.000
7	800(SVGA)x600	72	48.1	72.19	50.000
8	800(SVGA)x600	75	46.9	75	49.500
9	1024(XGA)x768	60	48.4	60.01	65.000
10	1024(XGA)x768	70	56.5	70.07	75.000
11	1024(XGA)x768	75	60.0	75.03	78.750
12	1280(SXGA)x1024	60	64.0	60.0	108.000
13	1280(SXGA)x1024	75	80.0	75.0	135.000

15-дюймовый ЖКИ-монитор: 12-13 режимы являются резервными режимами при отказе системы.

6. Задняя / передняя панель. Подключение.



1. ПИТАНИЕ (POWER)

Включение и выключение питания монитора.

2. ИСТОЧНИК СИГНАЛА (SOURCE)

Нажмите кнопку выбора источника сигнала (SOURCE) для выбора типа сигнала.

3-4. КНОПКА ВЫБОРА - ∇ (SELECT) \wedge

Нажмите кнопку выбора (∇ SELECT \wedge) для осуществления операций выбора необходимого пункта меню.

5-6. КНОПКА РЕГУЛИРОВАНИЯ ГРОМКОСТИ (- VOLUME +)

Нажмите кнопку регулирования громкости (- Volume +) для операций по выбору основных пунктов меню и изменения настроек некоторых параметров. Данная кнопка также позволяет производить увеличение / уменьшение значения параметров или настроек.

7. МЕНЮ (MENU)

Нажмите кнопку MENU для отображения экранного меню.

Индикатор состояния

Указывает на текущее состояние монитора.

Зеленый: рабочий режим.

Янтарный: питание отключено.

Мигающий зеленый: включен режим экономии питания или отсоединен сигнальный кабель.

Вход питания: 12V DC Input Terminal

Видео вход: аналоговый разъем (15-pin D-sub) для использования с IBM-совместимыми компьютерами.

Аудио вход: 3.5мм стерео разъем для получения аудио сигнала от компьютера.

7. Процедура установки:

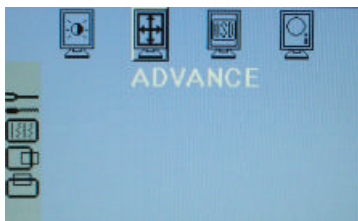
1. Убедитесь, что питание компьютера и монитора отключено.
2. Подключите видео и аудио кабели к компьютеру и монитору.
3. Подключите шнур питания к адаптеру сети переменного тока. Затем подключите шнур питания к входу питания DC12V монитора, после чего подсоедините шнур питания к электрической розетке.
4. Включите компьютер.
5. Нажмите кнопку включения питания, расположенную в правом нижнем углу монитора. Индикатор состояния будет указывать на то, что система включена.

8. Функции меню

Настройки монитора могут изменяться посредством экранного меню. Для получения доступа к функциям экранного меню, нажмите кнопку MENU (меню) на передней панели. Нажмите кнопку MENU (меню) для входа в подменю, используйте кнопку - VOLUME + (громкость) для выбора пункта меню (PICTURE (изображение), ADVANCE (дополнительно), OSD (экранное меню), INFO (информация)). Для различных типов входящих сигналов возможны различные режимы настроек. Приведенная ниже диаграмма демонстрирует различные виды настроек.



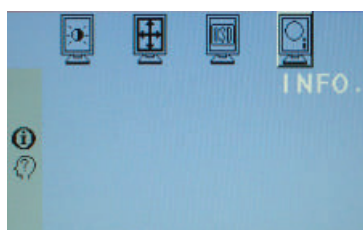
Нажмите кнопку MENU, чтобы войти в подменю, затем при помощи кнопок - VOLUME + выберите необходимый пункт меню (Picture - изображение). Нажмите V SELECT ^, чтобы выбрать подпункт меню (Contrast (контраст)- Brightness (яркость)- RGB Gain ...), затем, используя - VOLUME +, увеличьте или уменьшите значение необходимого параметра. После завершения настройки нажмите кнопку MENU для выхода из подменю и продолжения настройки. Для выхода из экранного меню нажмите кнопку MENU еще раз.



Нажмите кнопку MENU, чтобы войти в подменю, затем при помощи кнопок - VOLUME + выберите необходимый пункт меню (Advance – дополнительные настройки). Нажмите V SELECT ^, чтобы выбрать подпункт меню, затем, используя - VOLUME +, увеличьте или уменьшите значение необходимого параметра. После завершения настройки нажмите кнопку MENU для выхода из подменю и продолжения настройки. Для выхода из экранного меню нажмите кнопку MENU еще раз.



Нажмите кнопку MENU, чтобы войти в подменю, затем при помощи кнопок - VOLUME + выберите необходимый пункт меню (OSD – экранное меню). Нажмите $\sqrt{\text{SELECT}} \wedge$, чтобы выбрать подпункт меню (OSD H-Position (позиция по горизонтали) - OSD V-Position (позиция по вертикали)- OSD Time-out (время отображения)- OSD Language (язык экранного меню)), затем, используя - VOLUME +, увеличьте или уменьшите значение необходимого параметра. После завершения настройки нажмите кнопку MENU. Для выхода из экранного меню нажмите кнопку MENU еще раз.



Нажмите кнопку MENU, чтобы войти в подменю, затем при помощи кнопок - VOLUME + выберите необходимый пункт меню (Info - информация). Нажмите $\sqrt{\text{SELECT}} \wedge$, чтобы выбрать подпункт меню (Information (информация) - S/W Version (версия ПО)), после чего Вы сможете уточнить информацию о типе входящего сигнала или типе программного обеспечения, установленного на компьютере. После завершения настройки нажмите кнопку MENU. Для выхода из экранного меню нажмите кнопку MENU еще раз.

1. Нажмите кнопку MENU для получения доступа к следующим подменю: Picture (изображение), Advance (дополнительные настройки), OSD (экранное меню), INFO (информация).
2. Нажмите кнопку - VOLUME + для выбора и используйте кнопку $\sqrt{\text{SELECT}} \wedge$ для входа в каждое подменю. Вы можете выбирать подпункты и регулировать значения их параметров при помощи кнопки - VOLUME +. При отображении значения параметра на экране его значение будет меняться в зависимости от Вашей установки. Для выхода из экранного меню нажмите кнопку MENU еще раз.

Контраст (Contrast):

Нажмите кнопку -VOLUME+ для увеличения/уменьшения контрастности изображения. Применяется для регулирования изображения и контрастности фона экрана.

Яркость (Brightness):

Нажмите кнопку -VOLUME+ для увеличения/уменьшения яркости изображения. Применяется для регулирования изображения и яркости фона экрана. Яркость изображения изменяется в зависимости от яркости фона экрана.

Настройка красного (R Gain):

Выберите данную опцию и нажмите кнопку-VOLUME+ для изменения настроек красного.

Настройка зеленого (G Gain):

Выберите данную опцию и нажмите кнопку-VOLUME+ для изменения настроек зеленого.

Настройка синего (B Gain):

Выберите данную опцию и нажмите кнопку-VOLUME+ для изменения настроек синего.

Температура цвета (Color temperature):

Выберите данный пункт меню для установки температуры цвета в одном из следующих режимов: Standard (стандартный)- User (пользовательский)- Warm (теплый)- Cool (холодный)- 9300, 7300, 6500, User как указано ниже.

9300: холодный: в изображении преобладают оттенки синего.

7300: теплый: стандартное изображение.

6500: горячий: в изображении преобладают оттенки красного.

Автоматическая настройка (Auto Adjustment):

Применяется для автоматической настройки в текущем режиме. Выберите данный пункт меню и нажмите кнопку –VOLUME+ для осуществления настройки.

Фаза (Phase)

Применяется для улучшения фокусировки и стабильности изображения. Нажмите кнопку –VOLUME+ для увеличения/уменьшения значения данного параметра.

Положение по горизонтали (H-Position):

Применяется для регулирования положения изображения по горизонтали. Нажмите кнопку –VOLUME+ для увеличения/уменьшения значения данного параметра.

Положение по вертикали (V- Position):

Применяется для регулирования положения изображения по вертикали. Нажмите кнопку –VOLUME+ для увеличения/уменьшения значения данного параметра.

Положение экранного меню по горизонтали (OSD H-Position):

Применяется для регулирования положения экранного меню по горизонтали. Нажмите кнопку –VOLUME+ для перемещения экранного меню влево/вправо.

Положение экранного меню по вертикали (OSD V-Position):

Применяется для регулирования положения экранного меню по вертикали. Нажмите кнопку –VOLUME+ для перемещения экранного меню вверх/вниз.

Время отображения экранного меню (OSD Timeout):

Применяется для установки времени, по истечении которого экранное меню исчезнет с экрана монитора. Нажмите кнопку –VOLUME+, чтобы выбрать необходимый режим: OFF (выключено)- 5 сек. - 10 сек. - 15 сек. - 20 сек. и 30 сек.

Язык экранного меню (OSD Language):

Применяется для установки языка экранного меню. Нажмите кнопку –VOLUME+ для выбора следующих установленных языков: английский / испанский / французский / немецкий / итальянский / японский.

Информация (Information):

Применяется для получения информации о состоянии настроек режимов монитора (включая настройки частоты по горизонтали, частоты по вертикали и разрешения).

Версия ПО (S/W Version):

Применяется для отображения версии установленного ПО.

9. Решение возникших проблем

Прежде чем обратиться в сервисный центр, убедитесь, что Вы не можете разрешить возникшую проблему самостоятельно. При необходимости помощи специалиста обратитесь к Вашему дилеру.

Отсутствие изображения на экране

Шнур питания правильно подсоединен к монитору, адаптеру и розетке электропитания.

Проверьте подключение сигнального кабеля к компьютеру и монитору.

Произведите настройку яркости и контраста изображения.

Монитор находится в режиме сохранения электроэнергии. Размер изображения дисплея слишком велик или мал.

Используйте настройки экранного меню для осуществления автоматической настройки.

Произошел сбой настройки цветов

Правильно ли подключен сигнальный кабель?

Используйте настройки экранного меню для регулирования настроек цвета.

Изображение слишком темное или слишком светлое

Используйте настройки экранного меню для регулирования настроек яркости и контраста.

Звук слишком громкий или слабый

Проверьте подключение звукового кабеля

Убедитесь, что работает звуковое программное обеспечение компьютера.

Произведите настройку параметров звуковой карты или отрегулируйте громкость на компьютере.
Настройте необходимый уровень громкости на мониторе.

Аксессуары

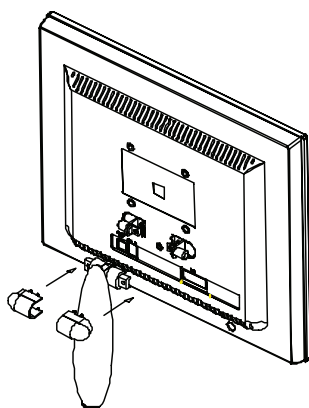
1. Видео кабель - RGB X 1 (1.8M)
2. Аудио кабель - AUDIO X 1 (1.8M)
3. Шнур питания - POWER CORD X 1 (1.8M)
4. Руководство пользователя
5. Адаптер сети переменного тока X 1

RU

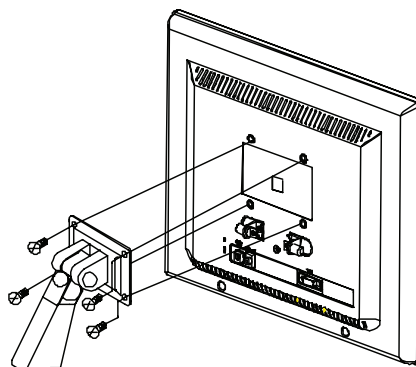
10. Настенная установка монитора

(НЕОБХОДИМО ПРИОБРЕСТИ СПЕЦИАЛЬНЫЙ КОМПЛЕКТ ДЛЯ НАСТЕННОЙ УСТАНОВКИ МОНИТОРА)

Руководство по установке:



(figure 1)



(figure 2)

1. Снимите подставку, отвернув все винты. Не выбрасывайте данные компоненты, чтобы сохранить возможность настольной установки монитора в будущем.
2. Установка держателя монитора.
 - a. При помощи 6мм отвертки и 4 винтов (M4*10L) укрепите держатель на стене.
 - b. Убедитесь в надежности крепления монитора на держателе.

Предостережение:

1. Приобретайте комплект держателя 75мм*75мм VESA Standard interface.
2. Держатель ЖКИ-монитора предназначен для крепления только ЖКИ-монитора. Не размещайте иных предметов на держателе.
3. При отсутствии необходимых деталей в комплекте поставки держателя обратитесь к поставщику держателя.

Pred vključitvijo, delovanjem in nastavitvami preberite navodila zelo pozorno in v celoti. Shranite navodila za kasnejšo uporabo.

1. VARNOSTNA OPOZORILA IN NAVODILA

SLO

PREVIDNOST
NEVARNOST UDARA ELEKTRIČNE ENERGIJE
NE ODPIRAJTE

POZOR:
DA BI PREPREČILI MOŽNOST UDARA ELEKTRIČNE ENERGIJE, NE ODPIRAJTE MONITORJA.
MONITOR NIMA SESTAVNIH DELOV, KI BI JIH LAHKO SAMI POPRAVLJALI. ZA SERVIS
SE OBRNITE NA KVALIFICIRANE SERVISERJE.

OPOZORILO:

DA BI PREPREČILI POŽAR ALI UDAR ELEKTRIČNE ENERGIJE, NE IZPOSTAVLJAJTE MONITORJA DEŽJU ALI VLAGI. MONITOR JE POD VISOKO NAPETOSTJO, ZATO GA NE ODPIRAJTE.

UPOŠTEVAJTE:

1. Monitorja ne izpostavljajte pretiranemu prahu, visokim temperaturam, vlagi ali direktni sončni svetlobi.
2. Okolje monitorja mora biti zelo zračno. Ne pokrivajte odprtih, ki so namenjene ventilaciji.
3. Nepooblaščen poseg v opremo, uporaba neoriginalnega kabla lahko povzroči hude motnje pri delovanju.
4. Kadar monitorja ne uporabljate, ga izključite iz napajanja.
5. Če monitor ne deluje normalno, ga izključite s pomočjo "OFF" gumba. Prepričajte se, če je monitor pravilno inštaliran. Nato ga ponovno prižgite.

2. POMEMBNA VARNOSTNA NAVODILA

Preden začnete proizvod uporabljati, navodila pozorno preberite in se prepričajte, da razumete vse postopke, opisane v navodilih.

1. Preberite vsa navodila.

2. Shranite navodila za kasnejšo uporabo.

3. Upoštevajte vse oznake in opozorila, označena na proizvodu.

4. Pred čiščenjem ga izklopite.

Pri čiščenju ne uporabljajte tekočih čistil ali čistil v spreju. Uporabljajte le vlažno krpo.

5. Monitorja ne postavite v bližino vode.

6. Ne pritiskajte na zaslon in ga ne praskajte, ker se lahko zgornji sloj zaslona poškoduje. Pri prenašanju in prestavljanju monitorja uporabljajte bombažne rokavice, da se zaslon ne umaže. V primeru, da se umaže, da očistite z mehko cunjjo (jelenova koža...).

Prah: nežno obrišite z mehko krpo (ne drgnite).

Umazanija: nežno obrišite z mehko vlažno krpo. Če so madeži trdovratnejši, krpo navlažite z izopropil-alkoholom ali etanolom.

Bodite pozorni, da je krpa res samo vlažna, da voda ali druga tekočina ne pride v notranjost monitorja.

Za čiščenje ne uporabljajte sestavin kot so aceton, toulon ... Če so vodne kapljice ali kaljice katere druge tekočine dalj časa na zaslonu, lahko pride do delnih poškodb zaslona. Zato jih nemudoma obrišite.

Dobite pozorni, da zaslon ne pride v stik z oljem, ker ga je izredno težko čistiti.

7. Monitor vedno postavite na stabilno podlago ali mizo, ker v nasprotnem primeru lahko pade in se poškoduje.

8. Reže in odprtine monitorja na zadnji ali spodnji strani so namenjene zadostni ventilaciji in hlajenju monitorja, ker preprečuje pregrevanje, zato je pomembno, da rež in odprtin ne pokrivajte. Monitorja ne postavljajte tako, da bi blokirali odprtine, kot npr. na posteljo, zofa, tepih ali podobno. Prav tako ga ne postavljajte na ali v bližino radiatorja ali drugega grelnega telesa. Monitor ni namenjen vgradnji npr. v omaro, razen če je zagotovljeno hlajenje ali ventilacija.

9. Ta monitor lahko deluje le na predpisanem tipu napetosti. Če o napetosti doma niste prepričani, se posvetujte s svojim prodajalcem ali z lokalnim operaterjem električnega omrežja.

10. Ničesar ne postavljajte na napajalni kabel. Monitor postavite na takšno mesto, da uporabnika kabel ne bo motil.

11. Če pri monitorju uporabljate podaljšek, se prepričajte, da skupni tok proizvodov, priključenih na podaljšek kabel ne presega zmogljivosti podaljška. Prav tako se prepričajte, da skupni tok vseh naprav, priključenih na vtičnico, ne presega 15A.

12. Ne poskušajte vstavljati kakršnihkoli predmetov v odprtine monitorja, ker lahko to povzroči požar ali udar električne energije. Pazite, da monitor ne polijete z vodo ali z drugo tekočino.

13. Ne poskušajte sami popravljati monitorja, ker lahko pri razstavljanju monitorja pride do udara električnega toka ali drugih nevarnosti. Prepustite servisiranje pooblaščenemu osebi.

14. Izklopite monitor iz stenske vtičnice in se obrnite na pooblaščenega serviserja v naslednjih primerih:

A Kadar je napajalni kabel poškodovan.

B Če je bil monitor polit s tekočino.

C Če je monitor prišel v stik s tekočino ali dežjem.

D Če izdelek kljub upoštevanju navodil za uporabo ne deluje normalno. Nastavite samo tiste nastavitve, ki so razložene v navodilih. Kajiti nepravilne nastavitve ostalih možnosti lahko povzročijo škodo in pogosto zahtevajo znatne posege pooblaščenega tehnika, da povrne zaslon v normalno delujoče stanje.

E Če vam je monitor padel na tla in se poškodoval.

F Ko opazite pri delovanju monitorja izrazite spremembe.

15. Monitor postavite tako, da vam sončna svetloba ne sije direktno v ekran.

FCC informacija

Ta oprema je bila testirana in je v skladu z zahtevami B razreda digitalnih naprav 15. Člena FCC pravilnika. Te zahteve zagotavljajo temeljno zaščito pred škodljivimi posegi tekom domače inštalacije. Ta oprema proizvaja, uporablja in lahko oddaja energije radijskih frekvenc in vkolikor ni inštalirana in uporabljena v skladu z navodili, lahko povzroči škodljive motnje radijskih komunikacij. Vendar pa ne zagotavljamo, da do podobnih motenj ne bo prišlo ob strokovni inštalaciji. V primeru, da oprema povzroči škodljive motnje v radijskih ali televizijskih sprejemnikih, kar je lahko določljivo s pomočjo vklopa in izklopa opreme, uporabnik sme poizkusiti odpraviti motnjo z enim od sledečih predlogov (kadar je opcijska TV/AV kartica vgrajena):

Reorientirajte oz. prestavite sprejemno anteno.

Povečajte razdaljo med opremo in sprejemnikom.

Opremo in sprejemnik vključite v ločena električna izhoda.

Posvetujte se s prodajalcem oz. izkušenim radio/TV strokovnjakom.

Na podlagi FCC predpisov je priporočljivo uporabljati oklopljeni napajalni kabel. Hkrati to prepreči tudi motnje pri sprejemu bližnjih radijskih in televizijskih sprejemnikov. Pomembno je, da uporabljate samo priložen kabel.

Spremembe ali modifikacije, ki niso posebno odobrene s strani proizvajalca, izključujejo garancijo.

Opozorilo o skladnosti s predpisi "CANADIAN INTERFERENCE-CAUSING EQUIPMENT REGULATIONS"

Ta oprema je v skladu z vsemi zahtevami "Canadian Interference-Causing Equipment Regulations".

4. Splošne informacije

Ta monitor je visoko zmogljiv TFT LCD barvni monitor. Kompatibilen je z vsemi načini prikazovanja za 15" in 17" monitorje.

Uporabniku prijazen vmesnik - lahka in natančna OSD kontrola z 7 gumbi. Kratak opis - multimedijško opremljeno in elegantno ter kompaktno ohišje

Podnožje z nagibom v vse smeri - uporabno posamezno nastavljanje, dobro uravnoteženo in prilagodljivo.

Analogni vhod - omogočen plug and play za sprejem RGB signalov z modularno frame-rate kontrola, ki dovoljuje preko 20 različnih vnosnih signalov.

D-SUB 15 PIN razporeditev

Pin 1: Red	Pin 6:R return	Pin 11:GND.
Pin 2: Green	Pin 7:G return	Pin 12:DDC data
Pin 3: Blue	Pin 8:B return	Pin 13:H sync.
Pin 4: GND.	Pin 9:Self test	Pin 14:V sync.
Pin 5: GND	Pin 10:GND	Pin 15:DDC clock

DVI 24 PIN razporeditev

Pin 1: TxD2-	Pin 8: V-Sync.	Pin 15: GND	Pin 22: GND.
Pin 2: TxD2+	Pin 9: TxD1-	Pin 16: DET	Pin 23: TxC0+.
Pin 3: GND	Pin 10: TxD1+	Pin 17: TxDO-.	Pin 24: TxC0-..
Pin 4: N.C.	Pin 11: GND	Pin 18: TxDO+.	
Pin 5: N.C.	Pin 12: N.C.	Pin 19: GND	
Pin 6: DDC Clk.	Pin 13: N.C.	Pin 20: N.C.	
Pin 7: DDC Data.	Pin 14: +5V	Pin 21: N.C.	

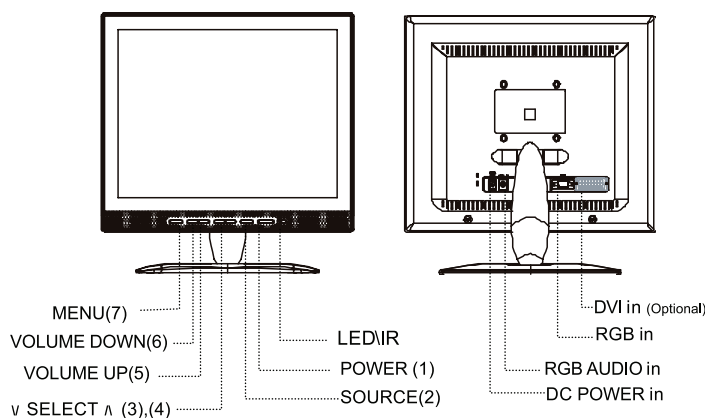
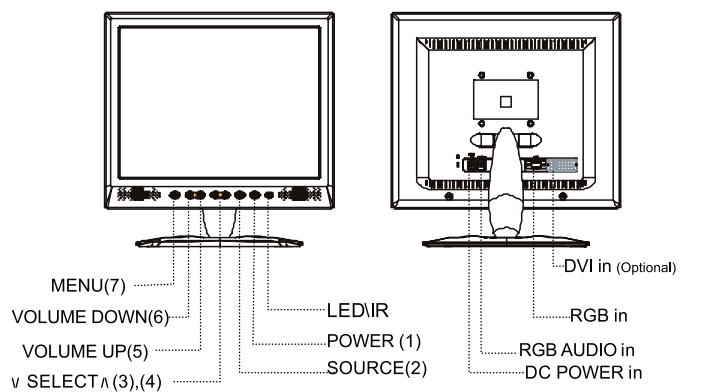
510

APPLICATION VIDEO TIMING

VESA MODE					
			Horizontal	Vertical	
Mod	Resolution	Refresh rate	Nominal Frequency +/- 0.5KHz	Nominal Frequency +/- 1 Hz	Nominal Pixel Clock(MHz)
1	640(VGA)x480	60	31.5	59.94	25.175
2	640(VGA)x480	70	31.5	70	28.3
3	640(VGA)x480	72	37.9	72.81	31.500
4	640(VGA)x480	75	37.5	75	31.500
5	800(SVGA)x600	56	35.1	56.25	36.000
	800(SVGA)x600	60	37.9	60.317	40.000
7	800(SVGA)x600	72	48.1	72.19	50.000
8	800(SVGA)x600	75	46.9	75	49.500
9	1024(XGA)x768	60	48.4	60.01	65.000
10	1024(XGA)x768	70	56.5	70.07	75.000
11	1024(XGA)x768	75	60.0	75.03	78.750
12	1280(SXGA)x1024	60	64.0	60.0	108.000
13	1280(SXGA)x1024	75	80.0	75.0	135.000

15" LCD Monitor : način 12-13 je "varni način v primeru napak-fail-safe".

6. Zadnja / Sprednja stran in povezave



1. VKLOP IN IZKLOP (POWER)

Vklopite (ON) ali izklopite (OFF) monitor.

2. IZVOR (SOURCE)

Pritisnite SOURCE, če želite zamenjati vhodni signal. N

3. - 4. IZBIRA (v SELECT ^)

Pritisnite v SELECT ^ za izbiro nastavitve. Izberite željeno nastavitvev.

5. - 6. - GLASNOST +

Pritisnite - Volume + za izbiro nastavitve glasnosti in prilagodite glasnost željam. Za povečanje ali zmanjšanje vrednosti izbrani nastavitvi.

7. MENI

Pritisnite MENI za prikaz zaslonskega menija (OSD - On Screen Display).

LED indikator

Prikazuje status monitorja.

Zelen: Normalno

Oranžno: Izključeno

Zeleno z utripanjem: Način varčevanja z energijo ali izključen signalni kabel.

Vhod za enosmerno (DC) napetost: 12 V vhodni priključek

Vhod RGB: Konektor za analogni signal (15-pin D-sub) namenjen za IBM in ostale kompatibilne.

RGB Audio IN: 3.5 mm Stereo Input Jack za sprejem audio signalov iz PC računalnika

7. Postopek inštalacije:

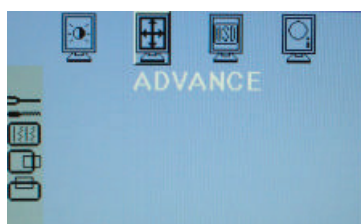
1. Prepričajte se, da sta PC računalnik in LCD monitor izključena.
2. Povežite video in avdio signal z ustreznim priključkom na monitorju.
3. Povežite napajalni kabel z napajalnim adapterjem. Nato povežite napajalni adapter z 12V vhodnim priključkom monitorja. Nato vklopite napajalni kabel v napajanje.
4. Vključite PC računalnik.
5. S pritiskom na POWER gumb, ki se nahaja na spodnji desni strani ekrana, vključite monitor. LED indikator nakaže, da monitor deluje.

8. Funkcijske nastavitve na sprednji strani monitorja

Določene funkcije nastavlja preko zaslonskega menija (OSD - On-Screen-Display). Za dostop do nastavitve pridete s pritiskom na MENU gumb na prednji strani monitorja. Prikaže se osnovni meni. Ponovno pritisnite MENU gumb za vstop v podmeni in uporabite - VOLUME + gumb za izbiro funkcije, ki jo želite nastaviti (PICTURE, ADVANCE, OSD, INFO). Glede na tip signalnega vhoda so na voljo različne funkcije. Spodaj so prikazane različne variante OSD menijev glede na različen vhodni signal.



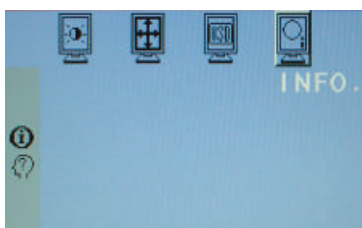
Pritisnite MENU gumb za vstop v podmeni in nato z pritiskom na - VOLUME + izberite funkcijo (Picture). Pritisnite \vee / \wedge za izbiro podfunkcije (Contrast - Brightness - RGB Gain...), nato pa s pritiskom na gumb - VOLUME + povečajte ali zmanjšajte vrednost izbrane podfunkcije. Ko zaključite nastavljanje, pritisnite MENU gumb za izhod iz podmenija in lahko izberete drugo funkcijo, ki jo želite nastaviti. S ponovnim pritiskom na MENU zapustite OSD meni.



Pritisnite MENU gumb za vstop v podmeni in nato z pritiskom na - VOLUME + izberite funkcijo (Advance). Pritisnite \vee / \wedge za izbiro podfunkcije, nato pa s pritiskom na gumb - VOLUME + povečajte ali zmanjšajte vrednost izbrane podfunkcije. Ko zaključite nastavljanje, pritisnite MENU gumb za izhod iz podmenija in lahko izberete drugo funkcijo, ki jo želite nastaviti. S ponovnim pritiskom na MENU zapustite OSD meni.



Pritisnite MENU gumb za vstop v podmeni in nato z pritiskom na - VOLUME + izberite funkcijo (OSD). Pritisnite \surd / SELECT \wedge za izbiro podfunkcije (OSD H-Position - OSD V-Position - OSD Time-out - OSD Language), nato pa s pritiskom na gumb - VOLUME + povečajte ali zmanjšajte vrednost izbrane podfunkcije. Ko zaključite nastavljanje, pritisnite MENU gumb za izhod iz podmenija in lahko izberete drugo funkcijo, ki jo želite zastaviti. S ponovnim pritiskom na MENU gumb zapustite OSD meni.



Pritisnite MENU gumb za vstop v podmeni in nato z pritiskom na - VOLUME + izberite funkcijo (Info). Pritisnite \surd / SELECT \wedge za izbiro podfunkcije (Information - S/W Version) ter si lahko ogledate informacijo o vhodnem signalu ali s/w verziji. Ko zaključite, pritisnite MENU gumb za izhod iz podmenija. S ponovnim pritiskom na MENU gumb zapustite OSD meni.

1. Pritisnite MENU gumb za nastavitve funkcij: Slika (Picture), Dodatne nastavitve (Advance), OSD (OSD), Informacije (Info)
Pritisnite - VOLUME + gumb za izbiro 4 funkcij in nato s pritiskom na gumb \surd / SELECT \wedge vstopite v posamezen podmeni kot si sledijo. Izberite podmeni za nastavitve njegove vrednosti, kar lahko storite s gumbom - VOLUME +. Status zaslona se spremeni glede na vašo nastavitve. S ponovnim pritiskom na MENU gumb zapustite OSD nastavitve.

Kontrast:

Pritisnite - VOLUME + gumb za nastavitve kontrasta. Nastavi se kontrast slike na zaslonu.

Svetilnost:

Pritisnite - VOLUME + gumb za nastavitve svetilnosti. Nastavi se svetilnost na zaslonu, svetilnost podobna zaslonu v primerjavi z ozadjem.

R intenzivnost:

Izberite ikono in pritisnite - VOLUME + gumb za spremembo intenzivnosti rdeče.

G intenzivnost:

Izberite ikono in pritisnite - VOLUME + gumb za spremembo intenzivnosti zelene.

B intenzivnost:

Izberite ikono in pritisnite - VOLUME + gumb za spremembo intenzivnosti modre.

Temperatura barve:

Izberite ikono in prilagodite temperaturo barve. Izberite lahko med: Standardno (Standard) - Uporabnikova izbira (User) - Toplo (Warm) - Mrzlo (Cool) - izbira (select) 9300, 7300, 6500, Uporabniška izbira.

9300: Mrzlo (Cool): Pretežno modri toni.

7300: Toplo (Warm): Standardno.

6500: Toplo (Hot): Pretežno rdeči toni.

Avtomatična nastavitve:

Avtomatična nastavitve trenutnega načina prikazovanja. Izberite ikono in pritisnite - VOLUME + za začetek avtomatične nastavitve.

Faza

Izboljšamo jasnost in stabilnost slike. Pritisnite - VOLUME + gumb za nastavitve faze ure.

H - lega (horizontalna lega):

Izberite to ikono za nastavitve horizontalne pozicije slike na zaslonu. Pritisnite - VOLUME + gumb za prilagoditev H - lege.

V - lega (vertikalna lega):

Izberite to ikono za nastavitve vertikalne pozicije slike na zaslonu. Pritisnite - VOLUME + gumb za prilagoditev V - lege.

OSD H - lega:

Izberite to ikono za nastavitve H - lege OSD menija na zaslonu. Pritisnite - VOLUME + gumb, da pomaknete OSD meni levo ali desno.

OSD V - lega:

Izberite to ikono za nastavitve V - lege OSD menija na zaslonu. Pritisnite - VOLUME + gumb, da pomaknete OSD meni gor ali dol.

Avtomatičen izklop OSD menija:

Izberite to ikono za nastavitve avtomatičnega izklopa OSD menija, naj se izklopi po določenem času neaktivnosti s pomočjo gumba - VOLUME +: Izklop (OFF) - 5 sek - 10 sek - 15 sek - 20 sek in 30 sek.

Jezik OSD menija:

Izberite to ikono za nastavitve jezika OSD menija. Pritisnite - VOLUME + gumb za izbiro OSD jezika kot sledi: angleščina (English) / španščina (Spanish) / francoščina (French) / nemščina (German) / italijanščina (Italian) / japonščina (Japanese)

Informacija:

Za prikaz informacije o trenutnem načinu prikazovanja (npr. horizontalna frekvenca ...)

S/W verzija:

Izberite to ikono za prikaz programske verzije.

9. Odpravljanje težav:

Preden pokličete serviserja, preverite naslednje informacije. Mogoče lahko težave odpravite sami. Če rabite pomoč, pokličite prodajalca, kjer ste monitor kupili ali pooblaščen servis.

Ni slike.

Preverite napajalni kabel, če je pravilno priključen, napajalnik in stensko vtičnico.

Preverite povezavo signalnega kabla med monitorjem in računalnikom.

Nastavite svetilnost in kontrast.

Monitor je v načinu varčevanja z energijo, slika je prevelika ali premajhna.

Uporabite OSD meni za avtomatično nastavitve.

Barve so popačene.

Je signalni kabel pravilno priključen?

Uporabite OSD meni za nastavitve barv.

Slika je presvetla ali pretemna.

Uporabite OSD meni za nastavitve svetilnosti in kontrasta.

Jakost zvoka je prenizka ali previsoka

Preverite avdio kabel.

Preverite ali zvočni program računalnika deluje ali ne.

Preverite zvočno kartico računalnika ali nastavitve jakosti zvoka na računalniku.

Nastavite jakost zvoka s pomočjo gumbov na monitorju.

DODATKI

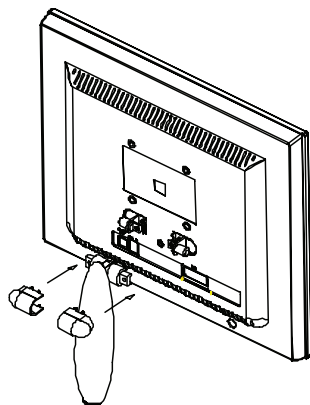
1. RGB KABEL x 1 (1,8 m)
2. AVDIO KABEL x 1 (1,8 m)
3. NAPAVALNI KABEL x 1 (1,8 m)
4. NAVODILA ZA UPORABO
5. NAPAVALNIK x 1

10. Navodilo za stensko montažo

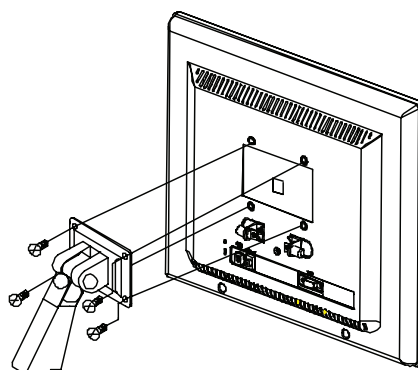
Komplet za stensko montažo je potrebno posebej kupiti.

Navodilo za stensko montažo

015



(figure 1)



(figure 2)

1. Odstranite vijake in stojalo. Delov ne zavržite in jih shranite za kasnejšo uporabo.
2. Postopek montaže stenskega držala.
 - a. S pomočjo 6 mm izvijača in 4 vijakov pritrdite držalo na monitor.

Opozorilo:

1. Kupite komplet za stensko montažo 75mm*75mm VESA Standard.
2. Komplet za stensko montažo uporabljajte le v kompletu z LCD monitorjem. Ne uporabljajte za stensko montažo drugih predmetov.
3. Če vam manjka kateri od sestavnih delov, kontaktirajte prodajalca, kjer ste komplet kupili.

Prije instalacije monitora molimo da pažljivo pročitate instrukcije za instalaciju.
Molimo čuvajte ova uputstva za buduće korištenje.

1. UPOZORENJE

UPOZORENJE
OPASNOST OD ELEKTRIČNOG UDARA
ZABRANJENO OTVARANJE

HR

UPOZORENJE:
KAKO BISTE IZBIJEGLI OPASNOST OD ELEKTRIČNOG UDARA
NE SKIDAJTE ZAŠTITNI POKLOPAC MONITORA.
ZA SVE POPRAVKE OBRATITE SE KVALIFICIRANOM I OVLAŠTENOM SERVISU

PAŽNJA:

KAKO BISTE SPRIJEČILI OPASNOST OD EL. UDARA ILI POŽARA NE IZLAŽITE MONITOR KIŠI ILI VLAZI. NE SKIDAJTE ZAŠTITNI POKLOPAC MONITORA U BILO KOJEM SLUČAJU. ZA SVE POPRAVKE OBRATITE SE OVLAŠTENOM I KVALIFICIRANOM SERVISU.

UPOZORENJE:

1. Držite monitor podalje od prašine, visoke temperature, vlage ili direktnom izlaganju suncu.
2. Monitor koristite u provjetravanim prostorijama i ne pokrivajte prostore predviđene za ventilaciju na kućištu monitora.
3. Neautorizirane modifikacije i promijene te korištenje neodgovarajućih kablova mogu dovesti do pojave raznih smetnji ostalim uređajima (kao i samom monitoru) u blizini.
4. Ukoliko monitor ne koristite duže vrijeme isključite ga iz napajanja.
5. Ukoliko je slika na ekranu nestabilna, loše kvalitete ili na bilo koji drugi način nekvalitetna, isključite monitor iz struje pritiskom na prekidač OFF. Nakon toga provjerite da li su svi kablovi ispravno spojeni i pravilno učvršćeni. Nakon toga uključite monitor pritiskom na prekidač ON.

Upozorenje:

Pažljivo pročitajte upute i uvjerite se da razumijete sve navedene procedure za instalaciju monitora opisane u ovim uputstvima.

1. Pročitajte kompletne instrukcije.
2. Sačuvajte ove instrukcije za buduće korištenje.
3. Prilikom čišćenja isključite monitor iz strujnog kruga. Ne koristite tekuća ili aerosolna sredstva prilikom čišćenja.
4. Ne koristite proizvode za čišćenje koji nisu odobreni od proizvođača jer mogu izazvat oštećenja uređaja.
Ne koristite tekuća ili aerosolna sredstva za čišćenje.
5. Ne koristite monitor u blizini vode. Ne koristite monitor na mjestima kao što su: kada, umivaonik, sudoper, prostorije s velikom koncentracijom vlage u zraku ili kraj bazena, itd..
6. Nikada ne pritiskajte površinu LCD ekrana niti koristite oštre predmete prilikom čišćenja kako ne biste oštetili površinu ekrana.
Prašina: obrišite prašinu sa površine mekom tkaninom bez trljanja po površini.
Nečistoća: Koristite meku tkaninu natopljenu u čistoj vodi. Nakon čišćenja prebršite suhim dijelom tkanine površinu koju ste čistili sa vodom. Možete koristiti Isopropilni alkohol ili etanol.
Ne proljevajte vodu ili bilo koju drugu tekućinu po monitoru. Kod čišćenja uvijek isključite monitor iz struje i nakon to čišćenja ostavite ga nekoliko minuta da se osuši prije ponovnog uključivanja.
Ne koristite otapala kao što su aceton, nitro razređivač, itd..Korištenje takvih sredstava može dovesti do oštećenja površine ekrana ili kućišta monitora.
Ne koristite preparate za čišćenje na bazi ulja.
7. Monitor uvijek koristite na čvrstim i stabilnim podlogama.
8. Otvori na kućištu monitora su namijenjeni za ventilaciju unutrašnjosti monitora i otvori se nesmiju blokirati ili zatvarati jer se u tom slučaju može pojaviti pregrijavanje opreme. Također, preporučujemo da nikada ne stavljate monitor na krevet, u blizinu radijatora ili bilo kojeg drugog izvora topline. Monitore postavite na mjesto sa dovoljnim protokom zraka.
9. Monitor mora raditi isključivo na vrsti napajanja označenoj na naljepnici. Ukoliko niste sigurni u vrstu napajanj koje koristite kontaktirajte Vašeg distributera električne energije.
10. Ne ostavljajte predmete na kabelu za napajanje i/ili produžnom kabelu. Kabele i adapter postavite na prikladna mjesta gdje neće smetati.
11. Ukoliko koristite produžni kabel na koji je spojen kabel za napajanje monitora, obratite pažnju da ukupna vrijednost jakosti struje (A) uređaja spojenih na produžni kabel ne bude veća od osigurača na produžnom kabelu. Također provjerite kolika je nazivna vrijednost osigurača za strujni krug na koji je spojen produžni kabel (ne smije biti veći od 15A)
12. Nikada ne gurajte predmete kroz otvore za hlađenje kako biste spriječili mogućnost el. udara ili oštećenja proizvoda te osoba.
13. Ne pokušavajte samostalno popraviti monitor. Neovlašteno skidanje zaštitnog kućišta može dovesti do el.udara i/ili požara. Za sve popravke obratite se kvalificiranom i ovlaštenom servisu.
14. Obavezno isključite monitor iz strujnog kruga i kontaktirajte ovlaštenog servisera:
 - a. Ukoliko je utičnica oštećena ili spaljena
 - b. Ukoliko ste proliili tekućinu po monitoru.
 - c. Ukoliko je monitor bio izložen kiši ili nekoj drugoj tekućini.
 - d. Ukoliko monitor ne radi ispravno prema priloženim instrukcijama. Prilagodite samo kontrole koje su opisane u uputstvu za korištenje. Ukoliko se i dalje pojavljuju problemi sa radom ili performansama, isključite monitor iz strujnog kruga i kontaktirajte trgovinu gdje ste kupili monitor ili kontaktirajte ovlaštenog servisera.
 - e. Ukoliko Vam je monitor pao ili je kućište oštećeno.
 - f. Ukoliko se prilikom rada pojave promjene u performansama - naznaka da je potrebno monitor servisirati kod ovlaštenog servisera.
15. Kako biste spriječili refleksiju svijetlosti s monitora, monitor postaviti u pravcu izvora svijetlosti.

3. FCC IZJAVA

Ova oprema je testirana i odgovara uvjetima klase B digitalnih uređaja, članak 15 FCC pravila. Ovi uvjeti se odnose na osiguravanje zaštite od opasnih smetnji prilikom instalacije. Ova oprema generira, koristi i zrači radio frekvencijsku energiju i ukoliko instaliranje nije sprovedeno prema uputama, može uzrokovati smetnje ostalim uređajima. Također, neke smetnje mogu se pojaviti naknadno i za njih se ne može pružiti jamstvo. Ukoliko ove smetnje uzrokuju probleme kod rada radio ili TV opreme (što se može provjeriti ukoliko upalite / ugasite novoinstaliranu opremu), preporuke za otklanjanje ovih problema mogu se pokušati riješiti primjenom jednog ili više savjeta opisanih u daljnjem tekstu:

- Preusmjerite ili premjestite antenu
- Povećajte razmak između uređaja i antene
- Spojite uređaj u utičnicu drugog strujnog kruga na kojoj se ne nalazi primopredajnik.
- Kontaktirajte ovlaštenog radio/TV servisera

Oklopljenji kabeli su potrebni prilikom spajanja kako bi se spriječile smetnje na radio i TV opremu koja se nalazi u neposrednoj blizini. Preporuka je da se prilikom instalacije i spajanja proizvoda koriste samo priloženi kablovi.

Upozoravamo da ukoliko izmjene ili zamjene koje nisu odobrene od strane odgovorne za rad uređaja mogu uzrokovati probleme i kvarove opreme.

Obavijest o suglasnosti te kompatibilnosti proizvoda sa "CANADIAN INTERFERENCE-CAUSING EQUIPMENT" propisima.

Ovaj uređaj klase B odgovara svim "Canadian Interference-Causing Equipment" navedenim uvjetima / standardima koji su navedeni u propisima.

4. Informacije o proizvodu

Ovaj monitor je visoko performansni multi scan TFT LCD kolor monitor. Dizajniran je kako bi bio kompatibilan sa svim 15" i 17" vrstama prikazivača slike na ekranu.

Jednostavno korisničko sučelje sa ugrađenim OSD izbornikom te kontrolom preko 7 funkcijskih tipaka ugrađenih na kućištu.

Mogućnost postavljanja ekrana u svim smjerovima zahvaljujući okretnom postolju.

Analogan ulaz - zahvaljujući "Plug & Play" funkciji moguće je 20 različitih ulaznih formata RGB signala sa moduliranom kontrolom slike.

D-SUB 15 PIN konektor

Pin 1: Red	Pin 6:R return	Pin 11:GND.
Pin 2: Green	Pin 7:G return	Pin 12:DDC data
Pin 3: Blue	Pin 8:B return	Pin 13:H sync.
Pin 4: GND.	Pin 9:Self test	Pin 14:V sync.
Pin 5: GND	Pin 10:GND	Pin 15:DDC clock

DVI 24 PIN konektor

HR

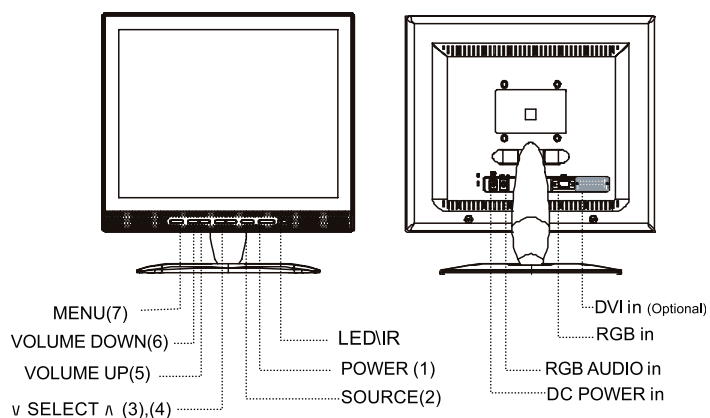
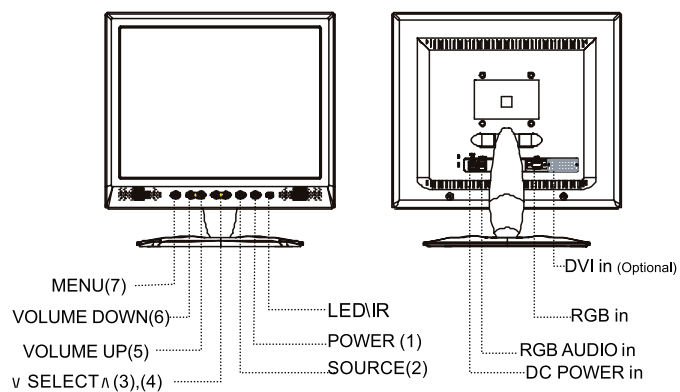
Pin 1: TxD2-	Pin 8: V-Sync.	Pin 15: GND	Pin 22: GND.
Pin 2: TxD2+	Pin 9: TxD1-	Pin 16: DET	Pin 23: TxCO+.
Pin 3: GND	Pin 10: TxD1+	Pin 17: TxD0-	Pin 24: TxCO-..
Pin 4: N.C.	Pin 11: GND	Pin 18: TxD0+.	
Pin 5: N.C.	Pin 12: N.C.	Pin 19: GND	
Pin 6: DDC Clk.	Pin 13: N.C.	Pin 20: N.C.	
Pin 7: DDC Data.	Pin 14: +5V	Pin 21: N.C.	

APPLICATION VIDEO TIMING

VESA MODE					
			Horizontal	Vertical	
Mod	Resolution	Refresh rate	Nominal Frequency +/- 0.5KHz	Nominal Frequency +/- 1 Hz	Nominal Pixel Clock(MHz)
1	640(VGA)x480	60	31.5	59.94	25.175
2	640(VGA)x480	70	31.5	70	28.3
3	640(VGA)x480	72	37.9	72.81	31.500
4	640(VGA)x480	75	37.5	75	31.500
5	800(SVGA)x600	56	35.1	56.25	36.000
	800(SVGA)x600	60	37.9	60.317	40.000
7	800(SVGA)x600	72	48.1	72.19	50.000
8	800(SVGA)x600	75	46.9	75	49.500
9	1024(XGA)x768	60	48.4	60.01	65.000
10	1024(XGA)x768	70	56.5	70.07	75.000
11	1024(XGA)x768	75	60.0	75.03	78.750
12	1280(SXGA)x1024	60	64.0	60.0	108.000
13	1280(SXGA)x1024	75	80.0	75.0	135.000

15" LCD Monitor : 12-13 prikaz je "fail-safe" prikaz slike na ekranu

6. Opsi stražnjih / prednjih kontrolnih tipaka i konekcija



1. POWER

Paljenje/gašenje napajanja monitora.

2. SOURCE

Pritiskom na tipku "SOURCE" odabirete ili mijenjate format ulaznog signala

3~4. \vee SELECT \wedge

Pritiskom " \vee SELECT \wedge " odabirete izabranu funkciju u OSD izborniku. Odaberite ispravnu postavku.

5~6. - VOLUME +

Pritisnite tipku "- Volume +" odabrali glavni izbornik te promijenili vrijednosti odabranih karakteristika. Povećava / smanjuje vrijednost izabrane postavke ili odabire ispravnu postavku.

7.MENU

Pritiskom na "MENU" tipku aktivirate OSD izbornik na ekranu monitora.

LED

Indikator rada monitora

Zelena boja: normalna aktivnost

Žuta: Monitor ugašen

Treptajuća zelena boja: Aktiviran "Power saving" funkcija monitora (funkcija uštede energije) ili obavijest o ne primanju signala iz VGA kartice

Ulazno (DC) napajanje : 12V DC ulazni napon

RGB IN : Analogni signal konektor (15-pin D-sub) za korištenje sa IBM i ostalim kompatibilnim uredajima.

RGB Audio IN : 3.5mm Stereo Input konektor - služi za primanje audio signala sa računala.

7. Instalacija

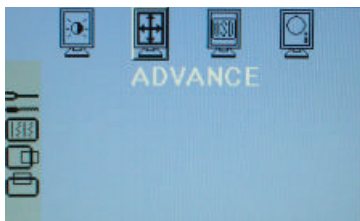
1. Uvjerite se da su računalo i monitor u potpunosti isključeni iz struje.
2. Uključite audio i video signalni kabel na monitor
3. Spojite kabel za napajanje sa AC/DC adapterom i nakon toga adapter sa 12V kabelom koji ste spojili u prethodnom koraku na monitor.
4. Uključite računalo.
5. Pritisnite tipku "POWER" na monitoru kako biste uključili monitor. LED indikator bi trebao zasvijetliti što znači da monitor radi.

8. Korištenje kontrolnih tipaka na monitoru

Funkcijske tipke na kućištu monitora su namijenjene korištenju OSD izbornika. Kako biste pristupili OSD izborniku pritisnite tipku "MENU". Kada ste otvorili OSD izbornik, pomicanjem po izborniku pozicionirate se na jedan od podizbornika koji otvarate pritiskom na tipku "MENU". Vrijednosti koje se nalaze u podizborniku možete promijeniti koristeći "+ VOLUME-" tipku na kućištu monitora (podizbornici "PICTURE", "ADVANCE", "OSD", "INFO"...). Različite postavke podizbornika dostupne su za sve vrste ulaznih signala.



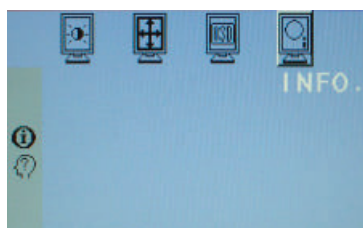
Pritisnite tipku "MENU" kako biste aktivirali podizbornike a tada koristeći "- VOLUME +" tipku odaberite izbornik "PICTURE". Pritisnite "SELECT" tipku kako biste odabrali podizbornik (Kontrast, Svijetlina...) a nakon toga tipkom "- VOLUME +" određujete vrijednost odabrane postavke . Nakon završetka korekcija , pritiskom na tipku "MENU" izlazite iz odabranog podizbornika te nastavite sa radom u glavnom izborniku. Ukoliko želite u potpunosti izaći iz "OSD" izbornika - pritisnite tipku "MENU" još jednom.



Pritisnite tipku "MENU" kako biste aktivirali podizbornike a tada koristeći "- VOLUME +" tipku odaberite izbornik "ADVANCE". Pritisnite "SELECT" tipku kako biste odabrali podizbornik a nakon toga tipkom "- VOLUME +" određujete vrijednost odabrane postavke . Nakon završetka korekcija , pritiskom na tipku "MENU" izlazite iz odabranog podizbornika te nastavite sa radom u glavnom izborniku. Ukoliko želite u potpunosti izaći iz "OSD" izbornika - pritisnite tipku "MENU" još jednom.



Pritisnite tipku "MENU" kako biste aktivirali podizbornike a tada koristeći "- VOLUME +" tipku odaberite izbornik "OSD". Pritisnite "SELECT" kako biste odabrali podizbornik (OSD H-Pozicija - OSD V-Pozicija - OSD gašenje - OSD Jezik) a nakon toga tipkom "- VOLUME +" određujete vrijednost odabrane postavke . Nakon završetka korekcija , pritiskom na tipku "MENU" izlazite iz odabranog podizbornike te nastavite sa radom u glavnom izborniku. Ukoliko želite u potpunosti izaći iz "OSD" izbornika - pritisnite tipku "MENU" još jednom.



Pritisnite tipku "MENU" kako biste aktivirali podizbornike a tada koristeći "- VOLUME +" tipku odaberite izbornik "INFO". Pritisnite "SELECT" kako biste odabrali podizbornik (Informacije - S/W verzija) gdje možete pogledati informacije o ulaznom signalu ili s/w verziji. Pritiskom na tipku "MENU" izlazite iz odabranog podizbornike te nastavite sa radom u glavnom izborniku. Ukoliko želite u potpunosti izaći iz "OSD" izbornika - pritisnite tipku "MENU" još jednom.

1. Pritiskom na "MENU" tipku na ekranu će se pojaviti: Picture , Advance, OSD i INFO podizbornici.
2. Pritiskom na tipku "- VOLUME +" odabirete jedan od podizbornika a pritiskom na "SELECT" ulazite u odabrani podizbornik. Vrijednost koju želite promijeniti u podizborniku namijestate sa tipkom "- VOLUME + ". Prilikom mijenjanja vrijednosti slika na ekranu će se mijenjati istovremeno tako da možete pratiti utjecaj promijena na prikaz slike.

Kontrast:

Pritiskom na tipku "- VOLUME +" povećavate ili smanjujete kontrast slike na ekranu. Prilagođuje kontrast slike i pozadine.

Svijetlina:

Pritiskom na tipku "- VOLUME +" povećavate ili smanjujete svjetlinu slike na ekranu. Prilagođuje svjetlinu slike u odnosu na pozadinu.

R Gain:

Pritiskom na tipku "- VOLUME +" povećavate/smanjujete udio crvene boje u slici.

G Gain:

Pritiskom na tipku "- VOLUME +" povećavate/smanjujete udio zelene boje u slici.

B Gain:

Pritiskom na tipku "- VOLUME +" povećavate/smanjujete udio plave boje u slici.

Temperatura boje na slici ekrana

Odaberite ovu ikonu kako biste prilagodili temperaturu boje prikaza slike između: Standard (standardne) - Warm (tople) - Cool (hladne) - odabirom 9300, 7300, 6500.

9300: Cool (hladna): tendencija slike prema plavim tonovima.

7300: Standardna

6500: Hot (topla) : Tendencija slike crvenim tonovima.

Automatska prilagodba slike:

Automatski prilagođuje prikaz slike na ekranu. Odaberite ovu ikonu i pritisnite tipku "- VOLUME +" kako biste izvršili automatsku prilagodbu.

Faza

Koristi se za izoštravanje fokusa slike te stabilnost prikaza. Pritisnite "-VOLUME +" tipku kako biste povećali ili smanjili faze.

"H-Position" (Horizontalna pozicija slike):

Odaberite ovu ikonu kako biste namijestili horizontalnu poziciju slike na ekranu. Pritiskom na tipku "- VOLUME +" mijenjate položaj slike na ekranu.

"V- Position" (Vertikalna pozicija):

Odaberite ovu ikonu kako biste namijestili vertikalnu poziciju slike na ekranu. Pritiskom na tipku "- VOLUME +" mijenjate položaj slike na ekranu.

OSD H-Pozicija (Horizontalna pozicija):

Odaberite ovu ikonu kako biste namijestili horizontalnu poziciju smještaja OSD izbornika. Za namiještanje koristite “ - VOLUME + ” tipku za pomicanje OSD izbornika lijevo ili desno po ekranu.

OSD V-Pozicija (Vertikalna pozicija):

Odaberite ovu ikonu kako biste namijestili vertikalnu poziciju smještaja OSD izbornika. Za namiještanje koristite “ - VOLUME + ” tipku za pomicanje OSD izbornika gore ili dolje po ekranu.

“OSD Timeout” (vrijeme gašenja OSD izbornika):

Odaberite ikonu kako biste odredili trajanje prikaza “OSD” izbornika na ekranu. Pritiskom na tipku “ - VOLUME + ” odabirete vrijeme trajanja OSD izbornika na ekranu : OFF - 5sek - 10sek - 15sek - 20 sek - 30sek

OSD Jezične postavke:

Odaberite ovu ikonu kako biste promijenili jezične postavke OSD izbornika. Pritiskom na tipku “-VOLUME+” mijenjate odabrani jezik OSD izbornika. Mogući odabiri su: Engleski/Španjolski/Francuski/Njemački/Talijanski/Japanski

Informacije:

Koristi se za prikaz informacija o trenutnim postavkama poput horizontalne frekvencije, vertikalne frekvencije, rezolucije slike ..

S/W Verzija:

Odaberite ovu ikonu kako biste provjerili verziju softvera koji se koristi.

9. Problemi prilikom instalacije i rada monitora

Prije nego što odlučite pozvati ovlašteni servis, provjerite slijedeće kako biste se uvijerili da je LCD TFT monitor potrebno servisirati i da ne možete riješiti problem. Ukoliko Vam je potrebna dodatna pomoć molimo nazovite trgovinu u kojoj ste kupili Vaš monitor.

Na monitoru se ne pojavljuje slika.

Provjerite kablove od napajanja monitora (spojeve na utičnici, monitoru, adapteru)

Provjerite signalni kabel da li je ispravno učvršćen na monitor i VGA karticu na računalu.

Prilagodite kontrast i svjetlinu slike na ekranu.

Monitor se nalazi u “POWER SAVINIG” režimu rada. Slika ne ekranu je prevelika ili premala.

Upotrijebite funkciju “AUTO ADJUST” u OSD izborniku kako biste prilagodili sliku na ekranu.

Boje na slici su loše, neprilagodene ili ispremišane.

Provjerite da li je signalni kabel ispravno učvršćen.

Upotrijebite OSD izbornik (podizbornik “COLORS”) kako biste namijestili intenzitet boja na ekranu.

Slika je pretamna / presvijetla.

Upotrijebite OSD podizbornik “Brightness” i/ili “CONTRAST” za korekciju slike.

Zvuk je prejak ili preslab.

Provjerite spojeve audio kabla na računalu ili monitoru.

Provjerite da li radi program na računalu namijenjen održavanju zvuka.

Prilagodite zvučnu karticu ili intenzitet izlaznog signala zvuka.

Prilagodite intenzitet zvuka na zvučnicima monitora upotrijebom tipaka za kontrolu intenziteta zvuka na kućištu monitora.

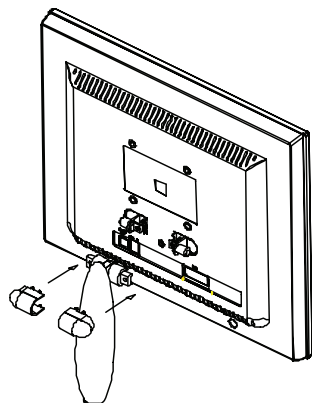
PRIBOR

1. RGB KABEL X 1 (1.8M)
2. AUDIO KABEL X 1 (1.8M)
3. KABEL ZA NAPAJANJE X 1 (1.8M)
4. Uputstva za korištenje
5. AC/DC naponski adapter X 1

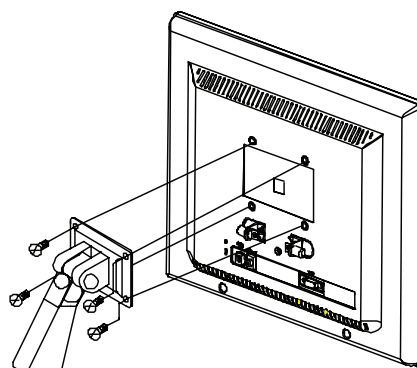
10. Uputstva za instaliranje LCD monitora na zid

(ZIDNI NOSAČ LCD MONITORA MORA BITI KUPLJEN ZASEBNO)

Uputstva za sastavljanje i instaliranje



(figure 1)



(figure 2)

1. Uklonite vijke, AL zaštitni poklopac te skinite nociva postolje. Ne bacajte dijelove postolja. Sačuvajte ih ukoliko odlučite vratiti normalno postolje nazad na monitor.
2. Postupak učvršćivanja nosača monitora.
 - a. Korištenjem odvijača (6 mm) učvrstite nosač i monitor vijcima (M4*10L) 4PCS .
 - b. Osigurajte obje strane LCD monitora i nosača.

Upozorenje

1. Kupite 75mm*75mm VESA standardno sučelje.
2. LCD nosač se koristi jedino za LCD monitor. Nikada ga nemojte koristiti za postavljanje drugih predmeta na njega.
3. Ukoliko Vam nedostaju dijelovi - kontaktirajte trgovinu u kojoj ste kupili dijelove za instaliranje.



www.prestigio.biz

